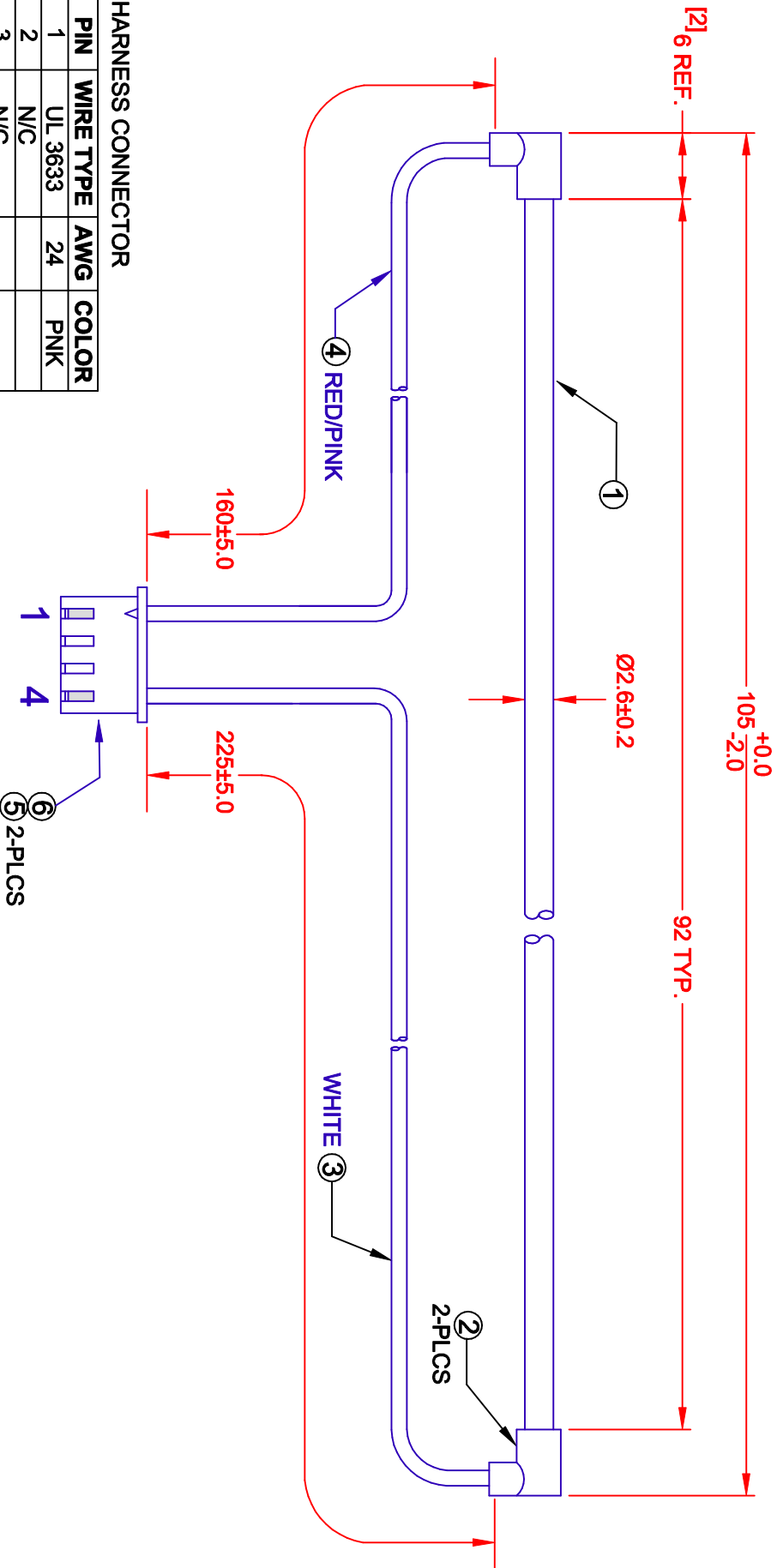


REV.	DESCRIPTION/ECO NO.	DATE
A	RELEASE & CANCEL P-0306-01	12/2/03
B	WIRE CHANGE	3/15/04



**HARNES CONNECTOR**

PIN	WIRE TYPE	AWG	COLOR
1	UL 3633	24	PNK
2	N/C		
3	N/C		
4	UL 3633	24	WHT

ITEM	QTY	PART NUMBER	DESCRIPTION
1	1	BF2698-31B	CCFL 6700° KELVIN
2	2	BF2.6/RC	CAP 26BS-11
3	1	RM-UL3633-24-WHT	WIRE, WHITE
4	1	RM-UL3633-24-PNK	WIRE, PINK/RED
5	2	SXH-001T-P0.6	CONTACT (JST)
6	1	XHP-4	HOUSING (JST)

**JKL PART NO.: BF2698-31B/ASSY/01**

<b>METRIC</b>	<b>DIMENSIONS ARE IN MILLIMETERS</b>	<b>TOLERANCE UNLESS OTHERWISE SPECIFIED</b>
THIRD ANGLE PROJECTION	1 PL +/- REF.	2 PL +/- ANGLE +/-
DRAWN BY L. WENGSTROM	APP'D BY J.K.	DATE 3/15/04
<b>JKL COMPONENTS CORPORATION</b>		
<b>LAMP ASSEMBLY</b>		
<b>CCFL WITH HARNES AND CONNECTOR</b>		
SCALE NONE	SIZE A	FRGM NO. 55335
- CAD DRAWING - MANUAL REVISIONS NOT PERMITTED		RELEASED DATE 12/2/03
		REVISION DATE 3/15/04
		REV. NO. B
		SHEET 1 OF 1