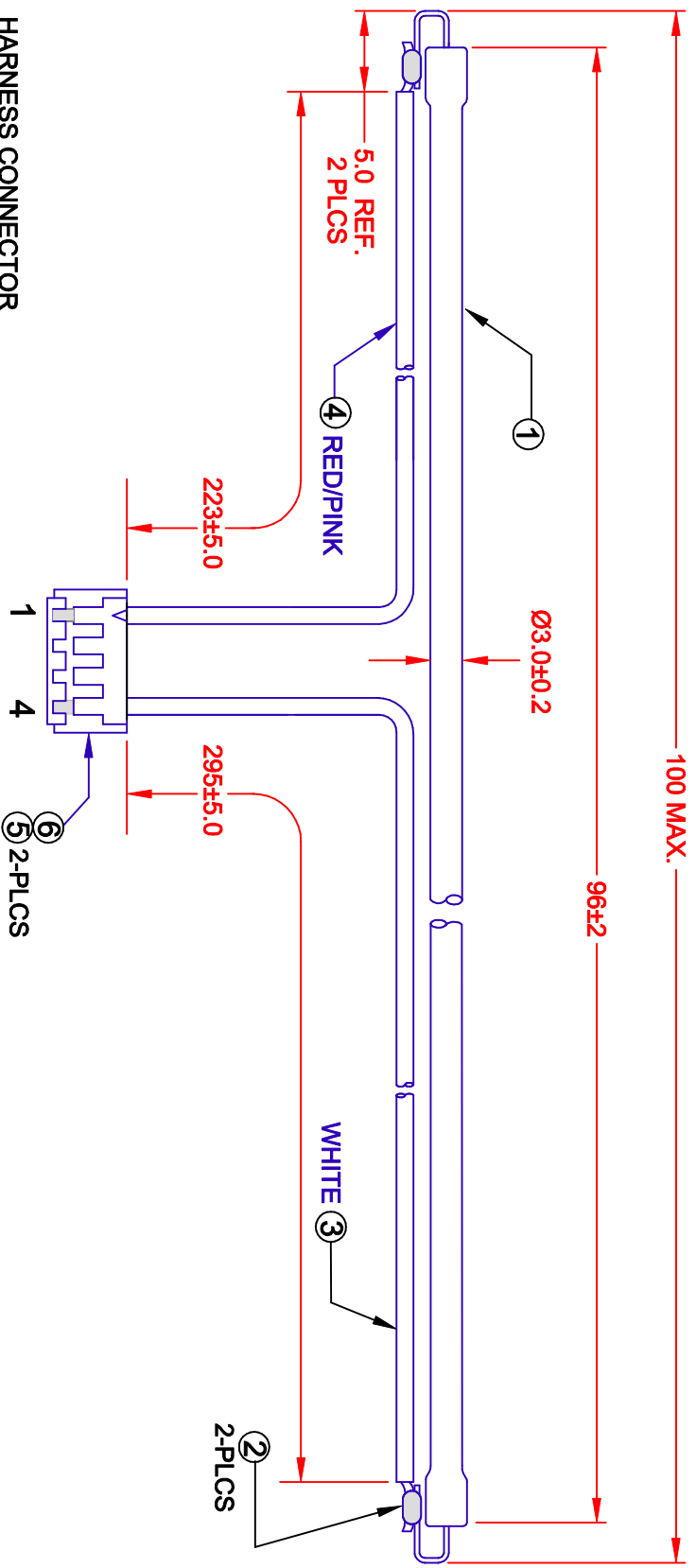


REV.	DESCRIPTION/ECO NO.	DATE
A	RELEASE & CANCEL P-0305-08	12/2/03
	DIM. TOL. CHNG. ON WIRE LENGTH	12/23/03



HARNES CONNECTOR

PIN	WIRE TYPE	AWG	COLOR
1	UL 3239	24	PNK
2	N/C		
3	N/C		
4	UL 3239	24	WHT

ITEM	QTY	PART NUMBER	DESCRIPTION
1	1	BF396-26B	CCFL
2	2	***	SOLDER
3	1	RH-UL3239-24-WHT	WIRE
4	1	RH-UL3239-24-PNK	WIRE
5	2	SEH-001T-P0.6	CONTACT (JST)
6	1	EHR-4	HOUSING (JST)

JKL PART NO.: BF396-26B/ASSY/01

METRIC	THIRD ANGLE PROJECTION	DIMENSIONS ARE IN MILLIMETERS TOLERANCE UNLESS OTHERWISE SPECIFIED	1 PL +/- REF. 2 PL +/- ANGLE +/-
DRAWN BY L. WENGSTROM	APP'D BY J.K.	DATE 12/23/03	
JKL COMPONENTS CORPORATION		LAMP ASSEMBLY	
CCFL WITH HARNES AND CONNECTOR		BF396-26B/ASSY/01	
SCALE NONE	SIZE A	REV. NO. A	REV. SHEET 1 OF 1
RELEASED DATE 12/2/03	REVISION DATE 12/23/03		

- CAD DRAWING -
MANUAL REVISIONS NOT PERMITTED