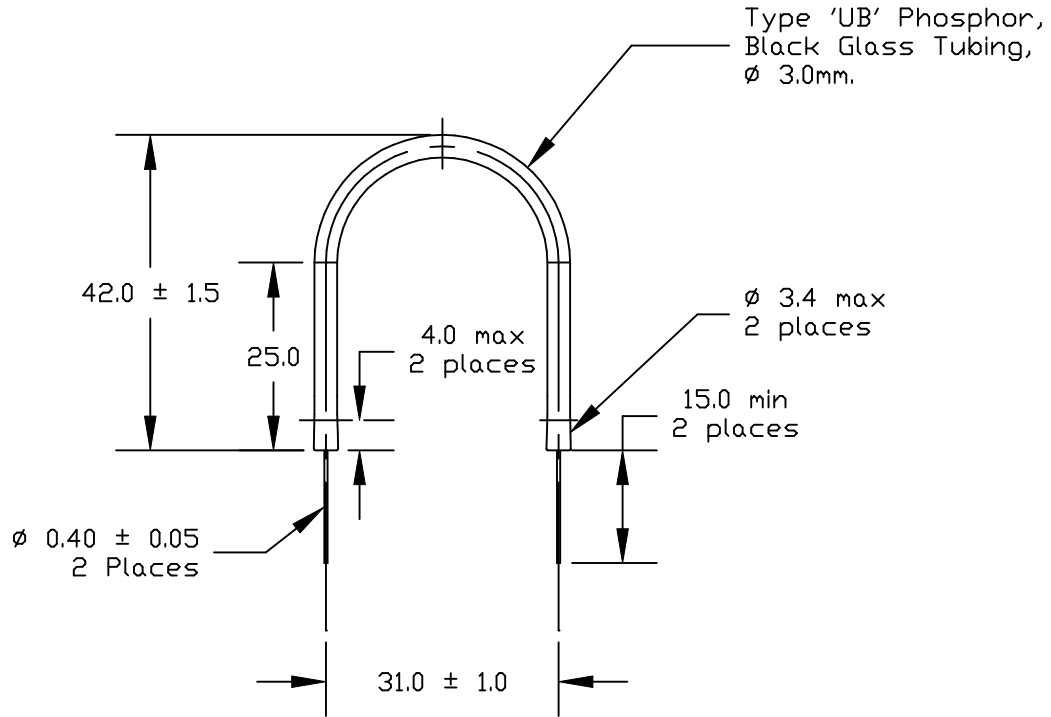


**CROSS REFERENCE
INFORMATION**

PROTOTYPE NO. P-0001-23 rev. X2

REVISION HISTORY			
REV	ECD NO / CHANGE DESCRIPTION	DATE	APPROVED
X-1	NONE / ENGINEERING RELEASE	01/31/00	FAD
X-2	DIM. CHANGE / CUSTOMER REQUEST	02/07/00	FAD
A	1035 / PRODUCTION RELEASE	02/15/00	FAD



OVERALL LENGTH (±2.0 mm)	LAMP POWER (Watts)	STARTING VOLTAGE (Vrms)	OPERATING VOLTAGE (Vrms)	OPERATING CURRENT (mA rms)	OUTPUT FLUX (uW/cm ² @ 1")	RATED LIFE (hours)
99.7	1.30	650	260	5.0	0.25	5,000

CAD FILE: 295-0001-001~1~A

UNLESS OTHERWISE SPECIFIED DIMENSIONS ARE IN MILLIMETERS 1 PL ± 0.2 2 PL ± 0.1 INTERPRET DIM AND TOL PER ANSI Y14.5M - 1994 THIRD ANGLE PROJECTION 	APPROVALS DRAWN BY F. DYEMARTIN 01/31/00		JKL COMPONENTS CORPORATION 13343 PAXTON STREET PACOIMA, CA 91331 PHONE: (818) 896-0019			
	CHECKED BY		TITLE Cold Cathode Fluorescent Lamp 3mm, 'U' shaped CCFL with UV1 phosphor			
	APPROVED BY		SIZE A	CAGE CODE 55335	DWG NO BF3U3142-UV1	REV A
	AGENCY APPROVAL CUSTOMER APPROVAL		SCALE NONE		SHEET 1 OF 1	