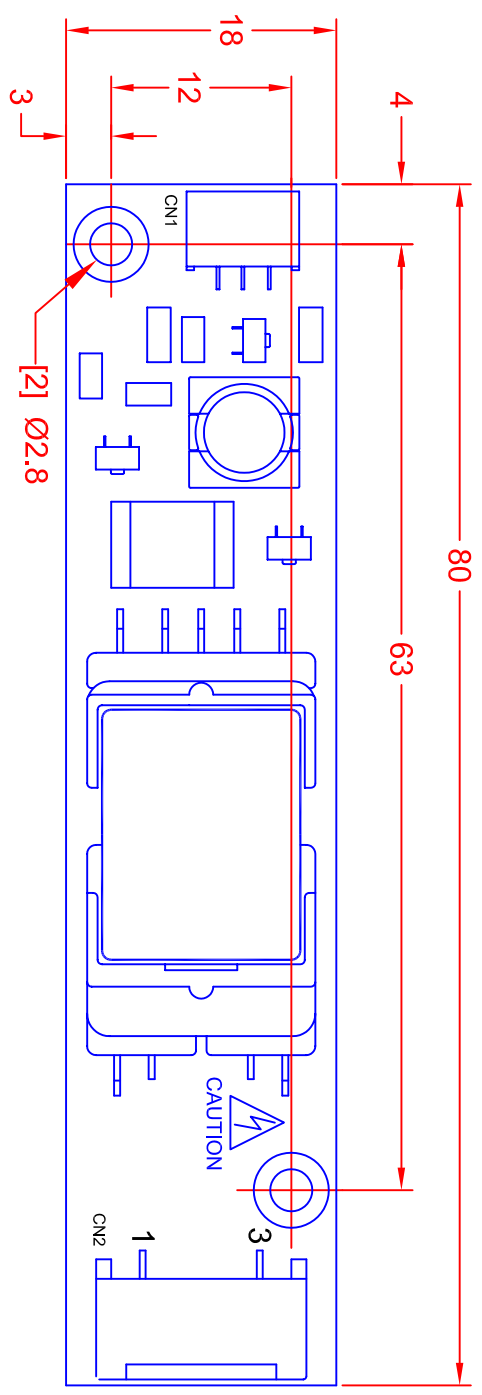
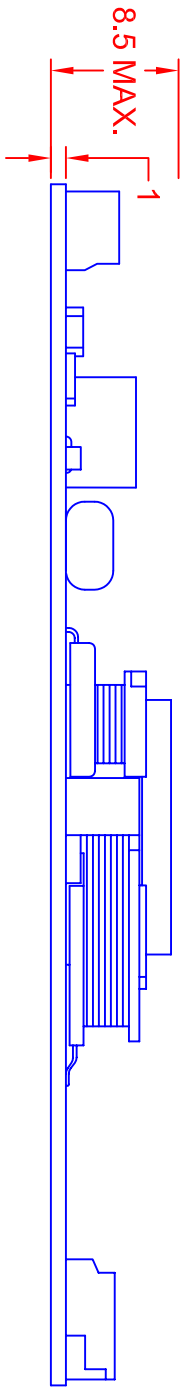


REV.	DESCRIPTION/ECO NO.	DATE
	RELEASED	5/15/06
A	CHNG MATING CHART REF.	4/7/09
B	CHNG MATING CHART NOTE	9/2/09



WARNING
 1) THIS PRODUCT PRODUCES HIGH VOLTAGE ON OUTPUT SIDE. DO NOT TOUCH WHEN IN OPERATION.
 2) SET THE INVERTER AS FAR FROM METAL AS POSSIBLE. METAL MIGHT DISTURB THE MAGNETIC FLUX OF TRANSFORMER.



NO.	PIN NUMBER	MATING INPUT HARNESS
CN1	1	INPUT VOLTAGE (+V)
	2	L=ON (INHIBIT / PWM)
	3	INPUT VOLTAGE (GND)
CN2	1	HIGH VOLTAGE OUT
	2	N/C
	3	LAMP GROUND

NOTE:
 MATING HARNESSES ARE NOT INCLUDED WITH THIS INVERTER.
 MATING INPUT HARNESS BXC-10962 AND MATING OUTPUT HARNESS BXC-10643 CAN BE ORDERED SEPARATELY FROM JKL.

OPERATING SPECIFICATIONS

CHARACTERISTICS	MIN	TYP	MAX
INPUT VOLTAGE: (Vdc)	10.8	12.0	13.2
INPUT CURRENT @ 12V: (mA)	--	320	--
INPUT WATTS	--	4.6	7.0
OPEN CIRCUIT VOLTS (Vrms)	--	1400	--
LAMP CURRENT (mAmps)	5.0	6.0	7.0
FREQUENCY (kHz)	--	73	--
PWM FREQUENCY (TYP.) (kHz)	0.1	0.5	--
PWM PERCENT (TYP.) (%)	15	---	---
OPERATING TEMP: (CELSIUS)	0	25	50
STORAGE TEMP.: (CELSIUS)	-20	25	70

* JKL PART NO.: **BXA-12664-6M**
 *RoHS COMPLIANCE (CONTACT JKL FOR RoHS LOT IDENTIFICATION)

<p>METRIC THIRD ANGLE PROJECTION</p>	DIMENSIONS ARE IN MILLIMETERS TOLERANCE UNLESS OTHERWISE SPECIFIED 1 PL +/- 0.3 2 PL +/- ANGLE +/- 0	<p>JKL COMPONENTS CORPORATION</p> <p>TITLE 12 VOLT DC INPUT INVERTER</p>
	DRAWN BY L. WENGSTROM APP'D BY L. R. DATE 9/2/09	
- CAD DRAWING - MANUAL REVISIONS NOT PERMITTED	SCALE NONE	REVISED DATE 5/15/06 REVISION DATE 9/2/09 REV. NO. B SHEET 1 OF 1