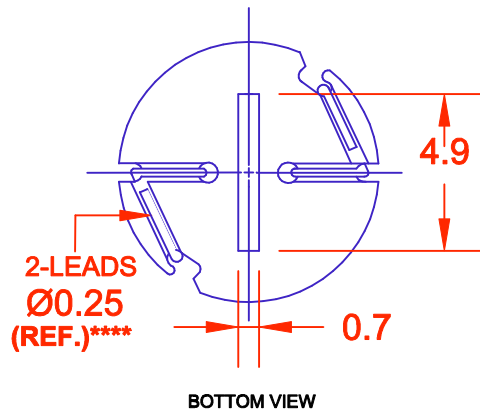
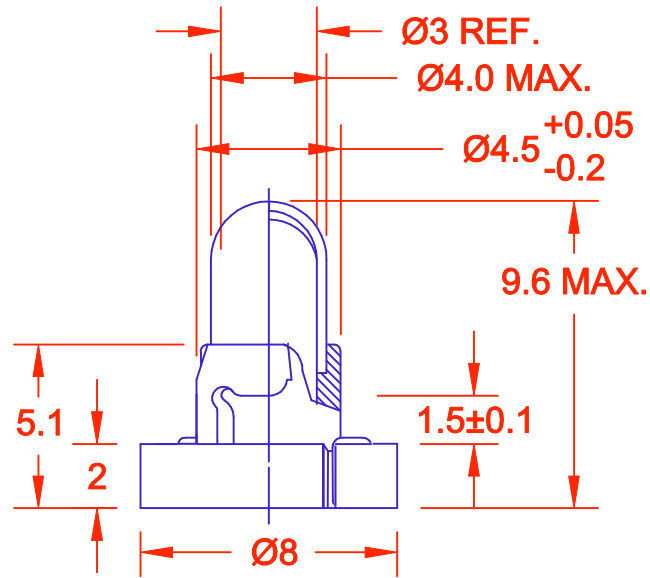
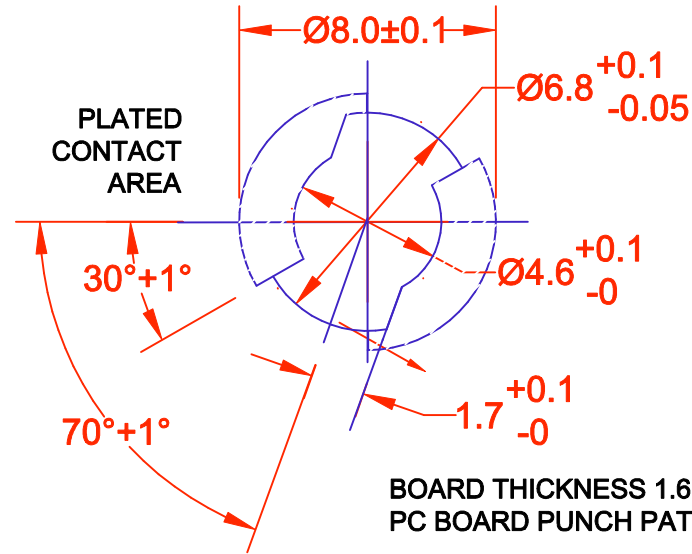


REV.	DESCRIPTION/ECO NO.	DATE
	RELEASED	9/22/04
A	ADD LEAD Pb FREE PLATING NOTE	9/23/04



**JKL PART NUMBER: CNW5-CW1240/BLA/39-01-6L/S**

LAMP PART NUMBER: CW1240***					
VOLTS RATED	AMPS ± 10%	*MSCP ± 25%	*LUMENS ± 25%	AVERAGE LIFE HRS.	FILAMENT TYPE
14.0	.040	.120	1.51	**8,000 D.C.	C-2F

\*LAMP RATING ONLY WITHOUT BASE AND FILTER.  
 \*\*DERIVED FROM ACCELERATED TESTING.  
 \*\*\*LEAD (Pb) FREE GLASS  
 \*\*\*\*LEAD (Pb) FREE PLATING

FILTER PART NUMBER: 39-01-6L/S	
FILTER COLOR:	BLUE/WHITE
COLOR COORDINATES: (REF. 14.0 VOLTS)	x = .401±.02 y = .451±.02

**BASE COLOR: BLACK**

METRIC	DIMENSIONS ARE IN MILLIMETERS	JKL COMPONENTS CORPORATION			
THIRD ANGLE PROJECTION	TOLERANCE UNLESS OTHERWISE SPECIFIED	TITLE T-1 NEO-WEDGE BASED LAMP WITH FILTER			
	1 PL +/- 0.3 2 PL +/- 0.30 ANGLE +/- 0				
DRAWN BY L. WENGSTROM	APPVD BY J.K.	DATE 9/23/04	SIZE A	FSCM NO. 55335	DRAWING NO. CNW5-CW1240/BLA/39-01-6L/S
- CAD DRAWING - MANUAL REVISIONS NOT PERMITTED			SCALE NONE	RELEASED DATE 9/22/04	REVISION DATE 9/23/04
				REV. NO. A	SHEET 1 OF 1