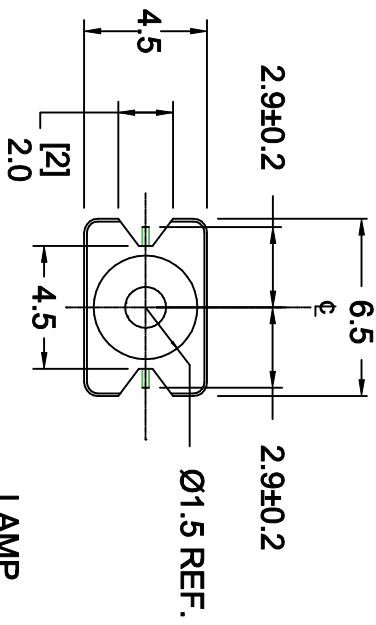
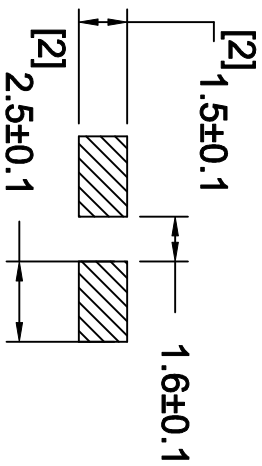
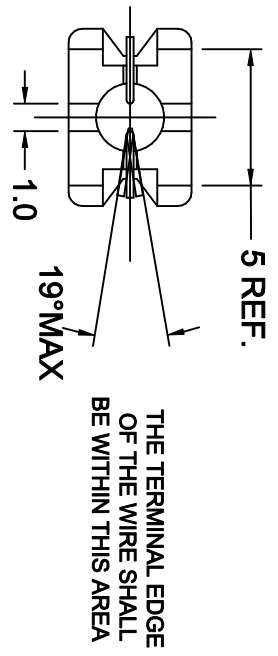
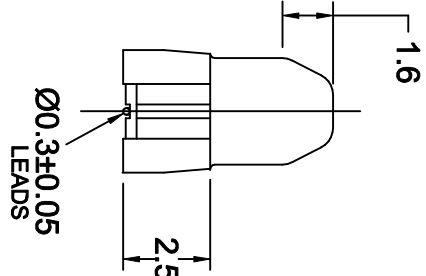
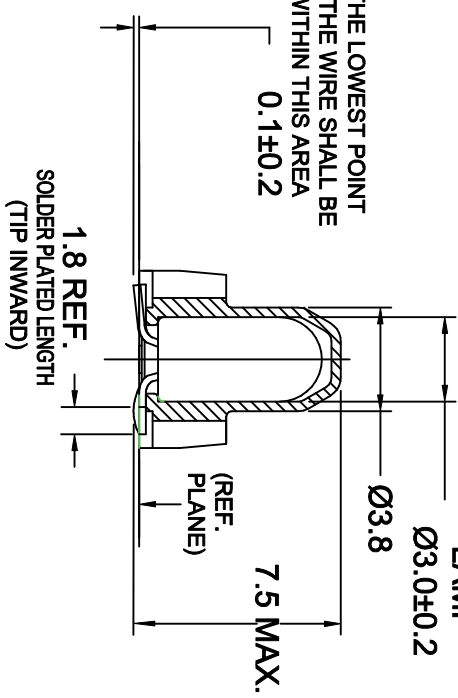


REV.	DESCRIPTION/IECO NO.	DATE
	RELEASED & CANCEL P-0006-02	10/14/02
A	DIMENSION CHANGE	11/13/02



THE LOWEST POINT OF THE WIRE SHALL BE WITHIN THIS AREA 0.1±0.2



P.C. BOARD PATTERN

LAMP NUMBER: CW1240			
VOLTS RATED	AMPS ± 10%	*MSCP ± 25%	*LUMENS ± 25%
14.0	.040	.120	1.51
**AVERAGE LIFE HRS.			8,000 DC
FILAMENT TYPE			C-2F

*LAMP RATING ONLY
**DERIVED FROM ACCELERATED TESTING

FILTER NUMBER: 39-24-5B	
COLOR COORDINATES (SPHERE)	
X = .20 REF. @ 14.0V	Y = .38 REF. @ 14.0V

JKL PART NO.: CSD3-CW1240/39-24-5B

JKL COMPONENTS CORPORATION

TITLE
T-1 SURFACE MOUNT LAMP WITH FILTER BODY

METRIC	DIMENSIONS ARE IN MILLIMETERS	TOLERANCE UNLESS OTHERWISE SPECIFIED
THIRD ANGLE PROJECTION	1 PL ±.02	2 PL ±.01
	ANGLE ±.0	
DRAWN BY L. WENGSTROM	APP'D BY J.K.	DATE 11/13/02
- CAD DRAWING -		
MANUAL REVISIONS NOT PERMITTED		
SIZE A	FSCH NO. 55335	DRAWING NO.
SCALE NONE	RELEASED DATE 10/14/02	REVISION DATE 11/13/02
REV. NO. A		SHEET 1 OF 1