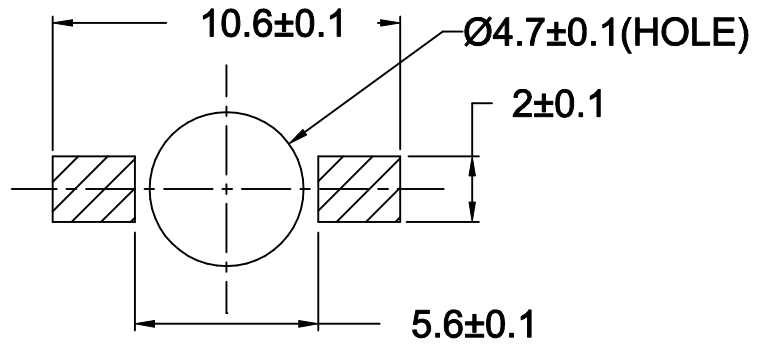
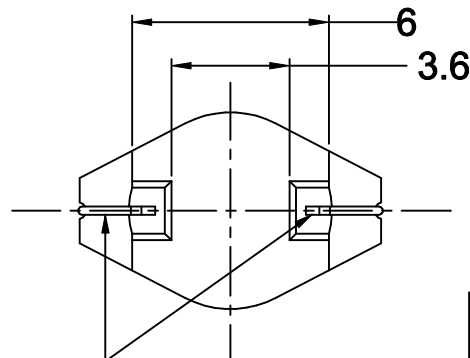
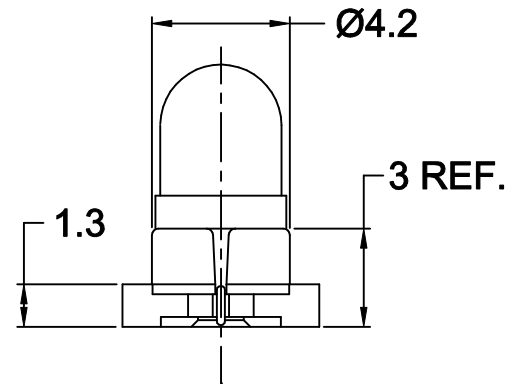
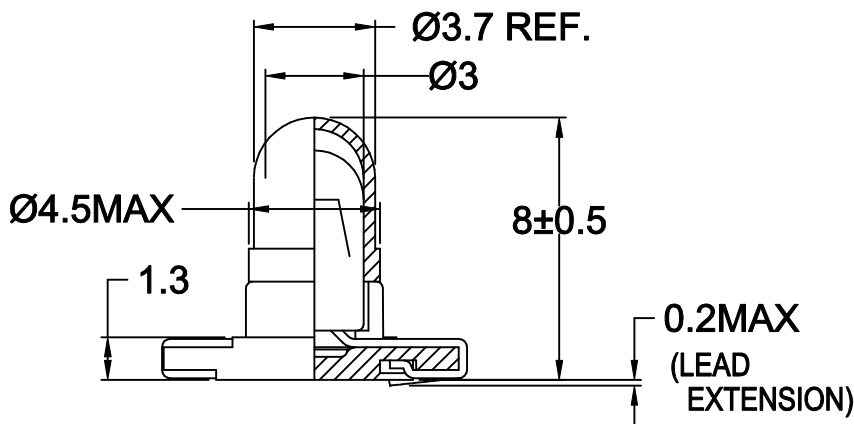


(INCLUDING WIRE)



P.C.B. t=1.6  
DIMENSIONS FOR COPPER AREA  
(REFERENCE)



Ø0.25 LEADS  
(SOLDER PLATED)

JKL LAMP NUMBER	VOLTS RATED	AMPS ±10%	*MSCP ±25%	*LUMENS ±25%	AVERAGE LIFE HRS.	FILAMENT TYPE
23	14.0	.040	.150	1.89	**8,000 D.C.	C-2F

\*LAMP ONLY RATING

\*\*DERIVED FROM ACCELERATED TESTING

JKL PART NUMBER	COLOR COORDINATES				LUMINANCE cd/m <sup>2</sup> (SPHERE 100mm)	COLOR (REF.)
	x ± .02	y ± .02	u' ± .02	v' ± .02		
CTB1-23/39-56-5D	0.2535	0.4625	0.1261	0.5175	23.3 ± 30%	BLUE/GREEN

<p>THIRD ANGLE PROJECTION</p>			<p>METRIC</p> <p>DIMENSIONS ARE IN MILLIMETERS</p> <p>TOLERANCE UNLESS OTHERWISE SPECIFIED</p> <p>1 PL +/- 0.2</p> <p>2 PL +/- 0.20</p> <p>ANGLE +/-</p>		<p><b>JKL COMPONENTS CORPORATION</b></p>							
			<p>DRAWN BY</p> <p>L. WENGSTROM</p>		<p>APPV'D BY DATE</p> <p>J.K. 10/24/03</p>		<p>SIZE</p> <p><b>A</b></p>	<p>FSCM NO.</p> <p><b>55335</b></p>	<p>DRAWING NO.</p> <p><b>CTB1-23/39-56-5D</b></p>			
<p>RELEASE &amp; CANCEL P-0308-04</p>			<p>10/24/03</p>	<p>- CAD DRAWING -</p>				<p>SCALE</p> <p><b>NONE</b></p>	<p>RELEASED DATE</p> <p>10/24/03</p>	<p>REVISION DATE</p>	<p>REV. NO.</p>	<p>SHEET</p> <p>1 of 1</p>
<p>REV. NO.</p>	<p>DESCRIPTION/ECO NUMBER</p>	<p>APPV'D DATE</p>	<p>MANUAL REVISIONS NOT PERMITTED</p>		<p>NONE</p>		<p>10/24/03</p>	<p>DATE</p>	<p>NO.</p>	<p>1</p>		