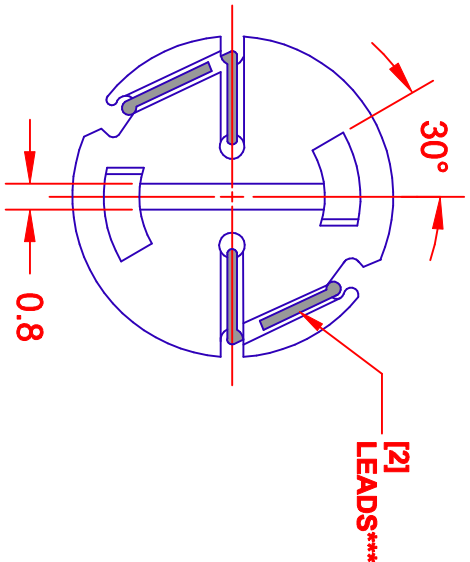
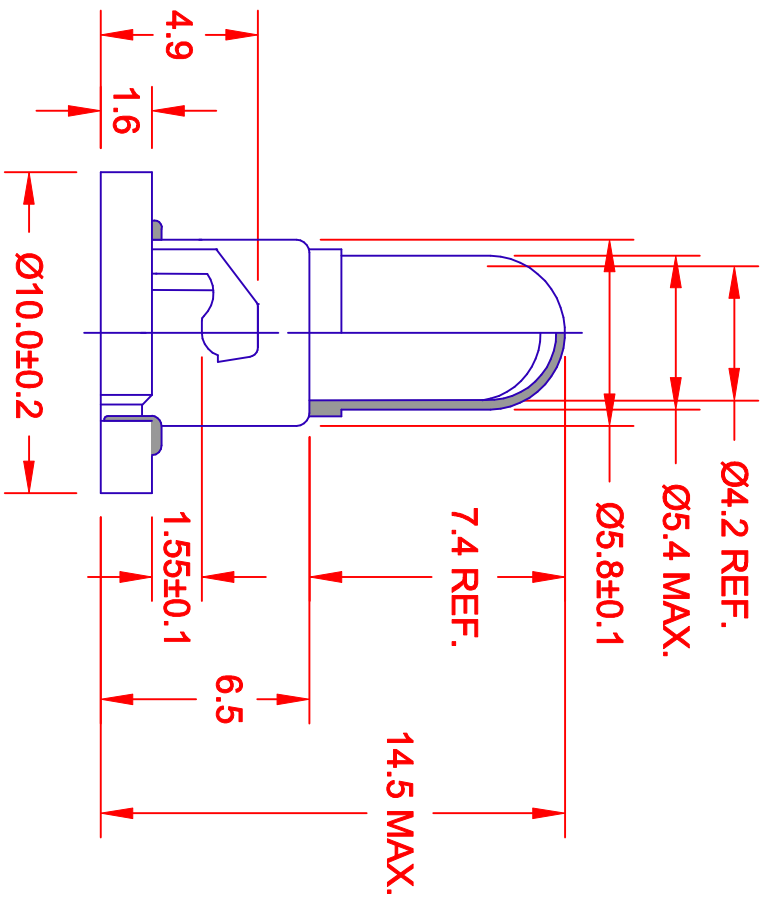
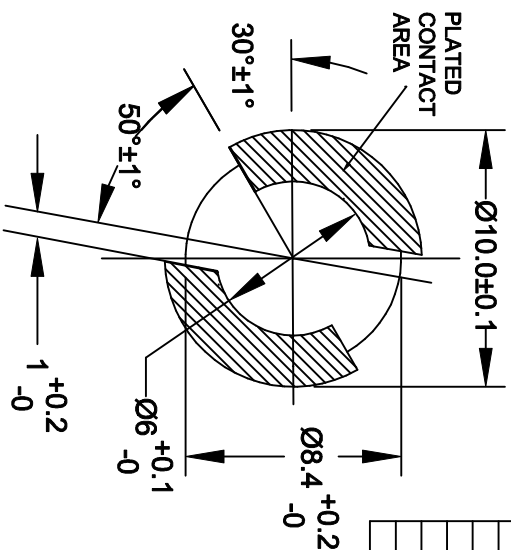


REV.	DESCRIPTION/ECO NO.	DATE
	RELEASED	9/23/04



JKL PART NO: DNW1-DW07/GRA/39-04-6N

LAMP NUMBER: DW07**

VOLTS RATED	AMPS ± 10%	*MSCP ± 25%	*LUMENS ± 25%	AVERAGE LIFE HRS.	FILAMENT TYPE
14.0	.08	.300	3.77	7,500 D.C.	C-2V

*LAMP RATING ONLY WITHOUT BASE AND FILTER
 **LEAD (Pb) FREE GLASS
 ***LEAD (Pb) FREE PLATING

FILTER NUMBER: 39-04-6N
COLOR COORDINATES (SPHERE)
X = .348±.025
Y = .429±.025
U' = .187±.025
V' = .518±.025
(REF. 14.0 VOLTS)

METRIC	DIMENSIONS ARE IN MILLIMETERS	JKL COMPONENTS CORPORATION	
	TOLERANCE UNLESS OTHERWISE SPECIFIED	TITLE	T-1 1/4 NEO-WEDGE BASE WITH
THIRD ANGLE PROJECTION	1 PL +/- 0.3	DW07 LAMP AND 39-04-6N	
	2 PL +/- 0.30	SIZE	55335
	ANGLE +/- 0	SCALE	NONE
DRAWN BY	DATE	REV. NO.	1 OF 1
L. WENGSTROM	9/23/04	REV. NO.	
MANUAL REVISIONS NOT PERMITTED		DATE	9/23/04
		REVISION	
		DATE	