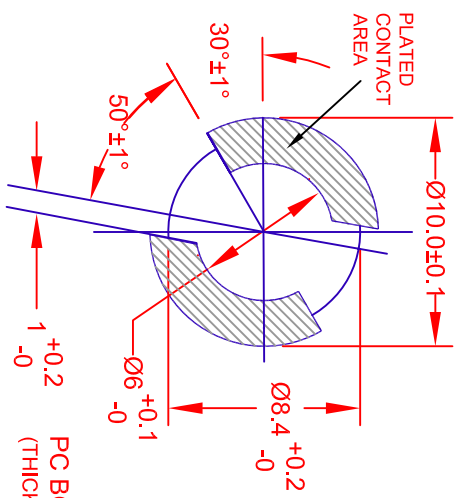
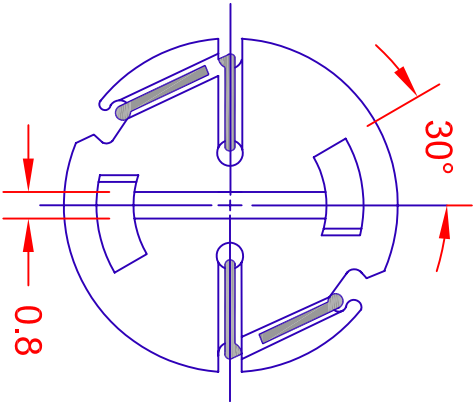
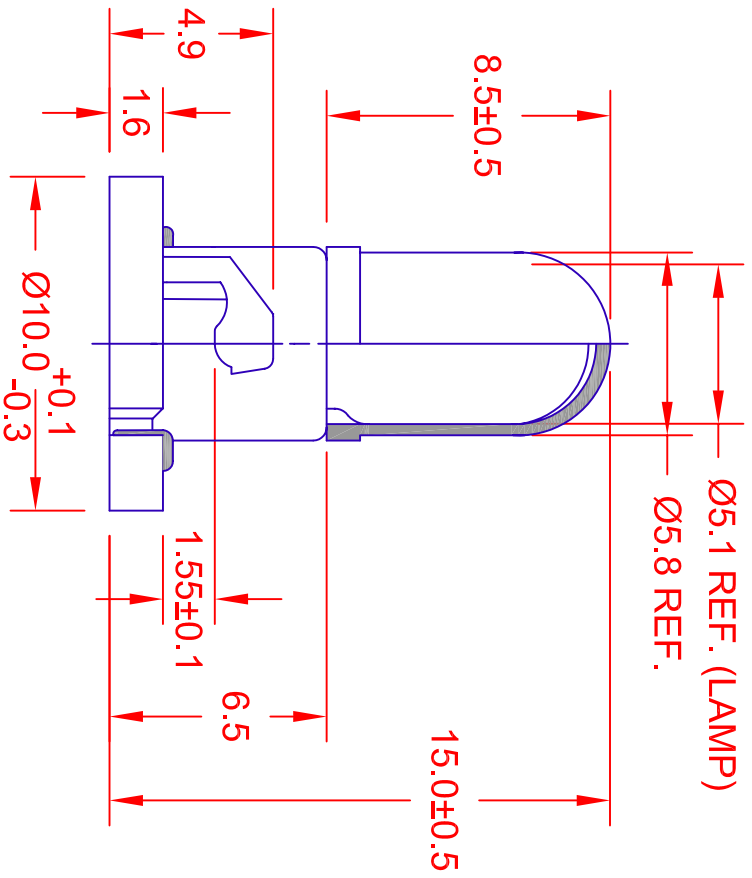


REV.	DESCRIPTION/ECO NO.	DATE
	RELEASED	12/15/99
A	DIMENSION CHANGES	02/28/00
B	LAMP & FILTER DIM TO REF. CHNG ON BASE TOLERANCE	03/30/00
C	FILTER 'u' & 'v' TOLERANCE CHANGES	11/22/00
D	CHANGE TO (Pb) FREE ASSEMBLY	1/18/05



JKL PART NUMBER: DNW1-EW87/GRA/39-08-5N***

JKL LAMP NUMBER	VOLTS RATED	AMPS ± 10%	MSCP ± 25%	LUMENS ± 25%	AVERAGE LIFE HRS.	FILAMENT TYPE
EW87**	14.0	.140	.95*	12.0*	7,000	C-2V
LAMP IN BASE			0.8	10.0		

*LAMP RATING ONLY WITHOUT BASE AND FILTER
 **LAMP GLASS LEAD (Pb) FREE
 ***LAMP AND BASE ASSEMBLY LEAD (Pb) FREE
 CONTACT JKL FOR LEAD (Pb) LOT IDENTIFICATION

COMPLETE ASSEMBLY WITH FILTER

JKL FILTER NUMBER	APPLICATION VOLTS	MSCP ±25%	LUMENS ±25%	U'*	V'*
39-08-5N	13.5	0.11	1.38	0.1175	0.4957

* COLOR COORDINATES MEASURED IN SPHERE
 BASE COLOR: GRAY

METRIC	DIMENSIONS ARE IN MILLIMETERS	<p>JKL COMPONENTS CORPORATION</p> <p>TITLE: T-1 1/4 NEO-WEDGE SOCKET WITH T-1 1/2 LAMP AND 39-08 FILTER</p>			
<p>THIRD ANGLE PROJECTION</p>	TOLERANCE UNLESS OTHERWISE SPECIFIED				
<p>1 Pl +/- 0.2</p> <p>2 Pl +/- 0.20</p> <p>ANGLE +/- 0</p>	<p>1 Pl +/- 0.2</p> <p>2 Pl +/- 0.20</p> <p>ANGLE +/- 0</p>	<p>SCALE: NONE</p>	<p>RELEASED DATE: 12/15/99</p>	<p>REV. NO. D</p>	<p>SHEET 1 OF 1</p>
<p>DRAWN BY: L. WENGSTROM</p> <p>APPR'D BY: JK</p> <p>DATE: 11/18/05</p>	<p>SIZE: A</p> <p>FCOM NO.: 55335</p> <p>DRAWING NO.: DNW1-EW87/GRA/39-08-5N</p>	<p>MANUAL REVISIONS NOT PERMITTED</p>			