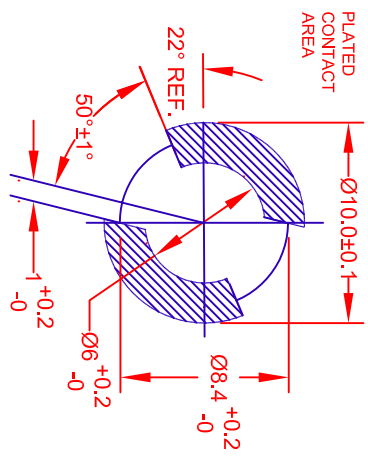
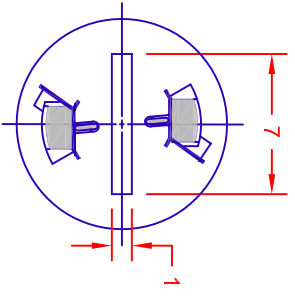
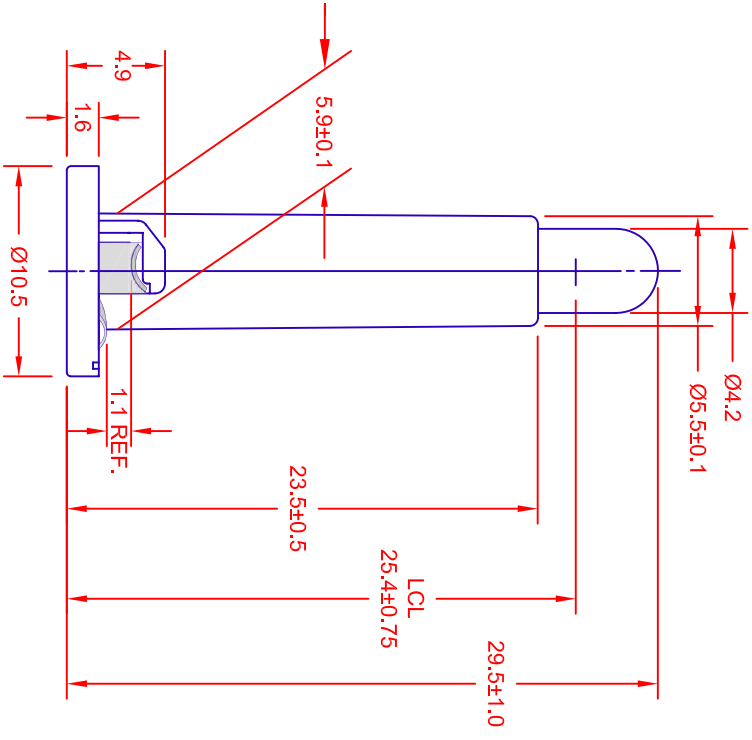
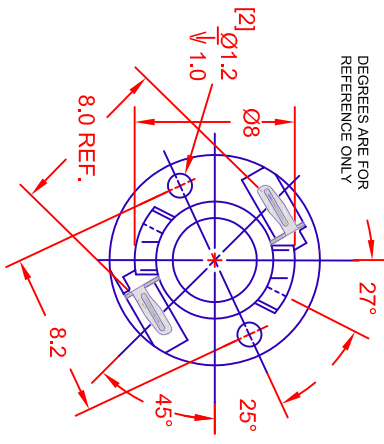


DEGREES ARE FOR REFERENCE ONLY



PC-BOARD THICKNESS: 1.6±0.1mm

REV.	DESCRIPTION/ECO NO.	DATE
	RELEASED AND CANCEL P-0206-20	7/15/02
A	CHANGE TO (Pb) FREE ASSEMBLY	1/18/05

JKL PART NUMBER: DNW21-DW07/GRA/32.5MM***

LAMP NUMBER: DW07***					
VOLTS RATED	AMPS ± 10%	*MSCP ± 25%	*LUMENS ± 25%	AVERAGE LIFE HRS.	FILAMENT TYPE
14.0	.080	.300	3.77	7,500 D.C.	C-2F

* LAMP RATING ONLY WITHOUT BASE
 ** LAMP GLASS LEAD (Pb) FREE
 *** LAMP AND BASE ASSEMBLY LEAD (Pb) FREE
 CONTACT JKL FOR LEAD (Pb) FREE LOT IDENTIFICATION

BASE COLOR
GRAY

METRIC	DIMENSIONS ARE IN MILLIMETERS	TITLE	SIZE	SCALE
 THIRD ANGLE PROJECTION	TOLERANCE UNLESS OTHERWISE SPECIFIED 1 PL +/- 0.2 2 PL +/- 0.20 ANGLE +/- 0	JKL COMPONENTS CORPORATION T-1 1/4 DOUBLE CONTACT NEO-WEDGE BASE WITH DW07 LAMP	A 55335	NONE
DRAWN BY L. WENGSTROM	APP'D BY J.K.	DATE 1/18/05	FSCM NO. DNW21-DW07/GRA/32.5MM	REV. NO. A
- CAD DRAWING - MANUAL REVISIONS NOT PERMITTED	DATE 1/18/05	RELEASED DATE 7/15/02	REVISION DATE 1/18/05	SHEET NO. 1 OF 1