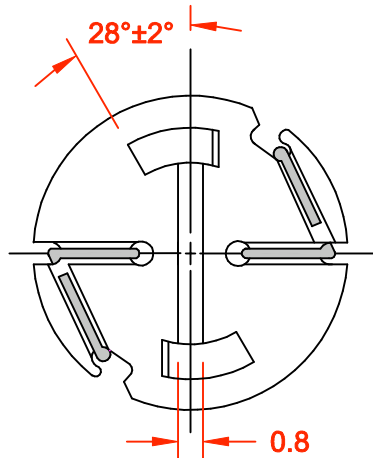
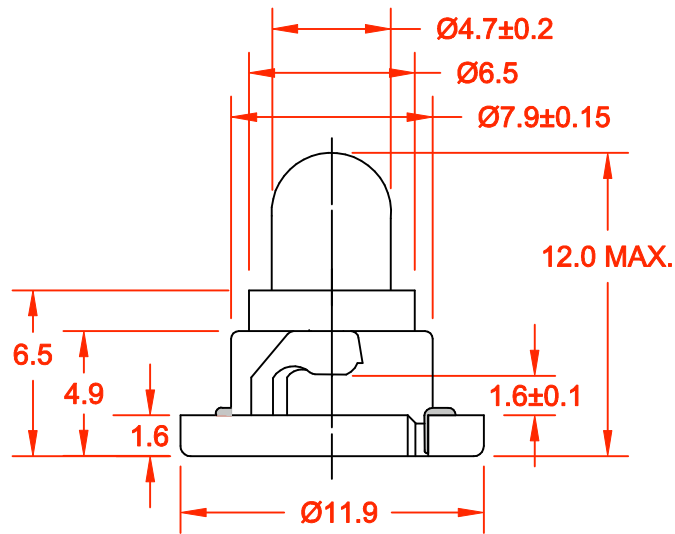


PC BOARD PUNCH PATTERN (NO TREATMENT SUCH AS APPLICATION OF FLUX, SHALL BE DONE.)



REV.	DESCRIPTION/ECO NO.	DATE
	RELEASED	11/18/02

JKL PART NUMBER: ENW1-EW33/WHI/12MM

JKL LAMP NUMBER	VOLTS RATED	AMPS ±10%	*MSCP ±25%	*LUMENS ±25%	AVERAGE LIFE HRS.	FILAMENT TYPE
EW33	14.0	.125	.700	9.00	5,000 D.C.	C-2F

*LAMP RATED ONLY (NOT IN BASE)

BASE COLOR: WHITE

<p>METRIC THIRD ANGLE PROJECTION</p>	DIMENSIONS ARE IN MILLIMETERS TOLERANCE UNLESS OTHERWISE SPECIFIED 1 PL +/- 0.2 2 PL +/- 0.20 ANGLE +/- 0		JKL COMPONENTS CORPORATION			
	TITLE T-1 1/2 NEO-WEDGE BASE WITH EW33 LAMP					
DRAWN BY L. WENGSTROM	APP'VD BY J.K.	DATE 11/18/02	SIZE A	FSCM NO. 55335	DRAWING NO. ENW1-EW33/WHI/12MM	
- CAD DRAWING - MANUAL REVISIONS NOT PERMITTED			SCALE NONE	RELEASED DATE 11/18/02	REVISION DATE	REV. NO. 1 OF 1