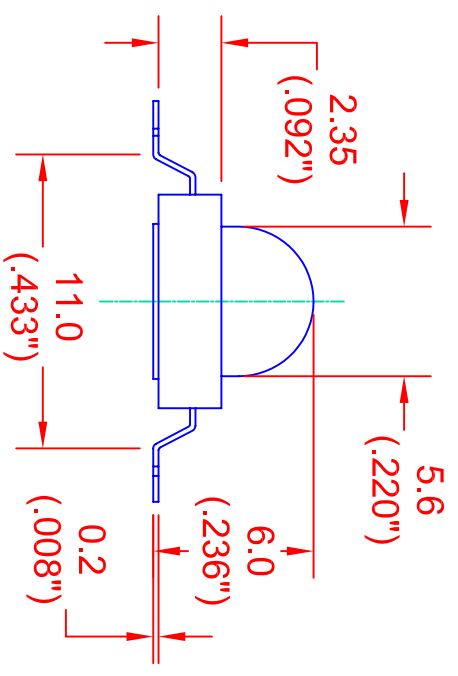
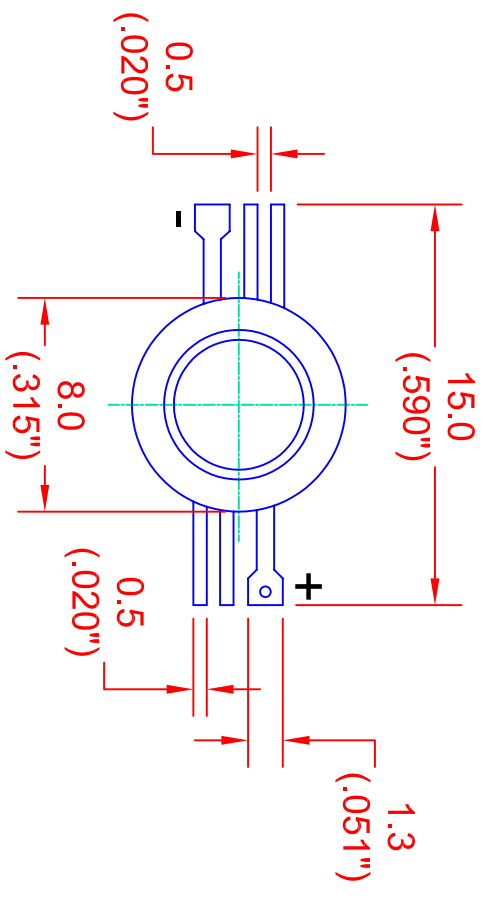


REV.	DESCRIPTION/ECO NO.	DATE
RELEASED		9/11/08



Absolute Maximum Rating at TA = 25°C

Parameter	Symbol	Absolute Maximum Rating	Unit
Forward Current	IF	700	mA
Power Dissipation	PD	0.5	mW
Electrostatic Discharge	ESD	150	V
Operating Temperature	Topr	-25~+60	°C
Storage Temperature	Tstg	-40~+80	°C

Electrical/Optical Characteristics at TA = 25°C

Parameter	Symbol	Condition	Color	Min	Typ	Max	Unit
Forward Voltage DC	VF	IF = 350mA	R	2.0	2.8	--	V
			G	3.2	3.8	--	
			B	3.0	3.8	--	
			R	--	620	--	
Dominant Wavelength	λD	IF = 350mA	G	--	520	--	nm
			B	--	470	--	
			R	10	15	--	
Luminous Flux	φV	IF = 350mA	G	15	20	--	lm
			B	3	5	--	
			R	--	350	--	
Recommend Forward Current	IF (rec)	--	--	--	350	--	mA

<p>METRIC THIRD ANGLE PROJECTION</p>	DIMENSIONS ARE IN MILLIMETERS (INCH)		<p>JKL COMPONENTS CORPORATION</p>
	TOLERANCE UNLESS OTHERWISE SPECIFIED 1 PL +/- REF. 2 PL +/- ANGLE +/- 0		
DRAWN BY L. WENGSTROM	APP'D BY L.R.	DATE 9/11/08	TITLE 0.5W RGB HIGH POWER LED, W/O ALUM. BD., 3 CHIPS IN 1 EMITTER
- CAD DRAWING - MANUAL REVISIONS NOT PERMITTED	SCALE NONE	RELEASED DATE 9/11/08	DRAWING NO. PL-0809-05
		REVISION DATE	REV. NO. 1 OF 1