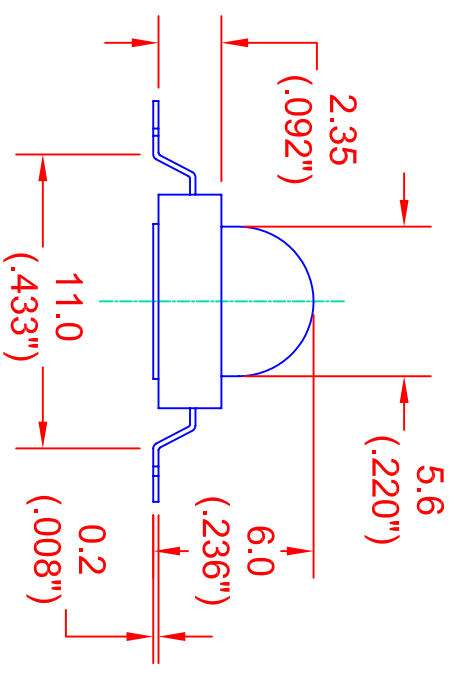
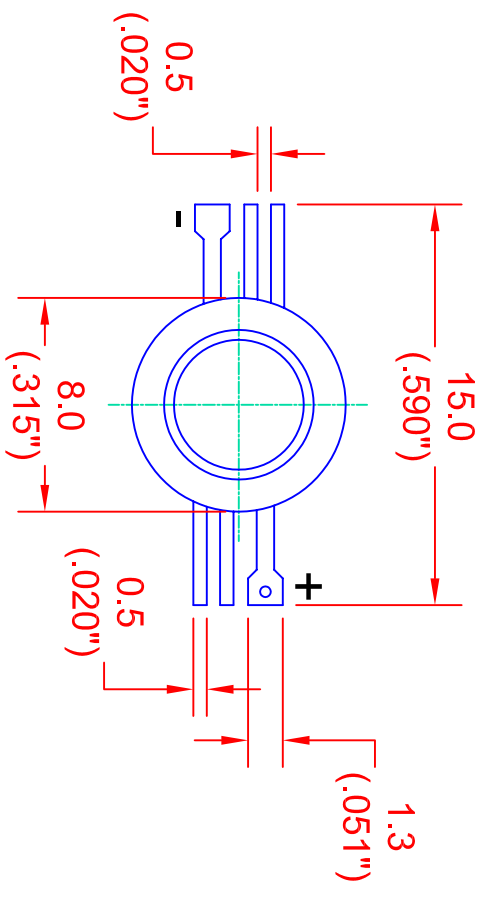


REV.	DESCRIPTION/ECO NO.	DATE
	RELEASED	9/11/08



Absolute Maximum Rating at TA = 25°C

Parameter	Symbol	Absolute Maximum Rating	Unit
Forward Current	IF	700	mA
Power Dissipation	PD	1.0	mW
Electrostatic Discharge	ESD	150	V
Operating Temperature	Topr	-25~+60	°C
Storage Temperature	Tstg	-40~+80	°C

Electrical/Optical Characteristics at TA = 25°C

Parameter	Symbol	Condition	Color			Max	Unit
			Min	Typ	Max		
Forward Voltage DC	VF	IF = 350mA	R	2.2	2.8	--	V
			G	3.4	3.8	--	
			B	3.4	3.8	--	
Dominant Wavelength	λD	IF = 350mA	R	--	620	--	nm
			G	--	520	--	
			B	--	470	--	
Luminous Flux	φV	IF = 350mA	R	15	23	--	lm
			G	40	50	--	
			B	7	9	--	
Recommend Forward Current	IF(rec)	--	--	--	350	--	mA

METRIC		DIMENSIONS ARE IN MILLIMETERS (INCH)	
 THIRD ANGLE PROJECTION		TOLERANCE UNLESS OTHERWISE SPECIFIED 1 PL +/- REF. 2 PL +/- ANGLE +/- 0	
DRAWN BY L. WENGSTROM	APP'VD BY L.R.	DATE 9/11/08	
JKL COMPONENTS CORPORATION TITLE 1W RGB HIGH POWER LED, W/O ALUM. BD., 3 CHIPS IN 1 EMITTER		SIZE A	FSCM NO. 55335
- CAD DRAWING - MANUAL REVISIONS NOT PERMITTED		SCALE NONE	DRAWING NO. PL-0809-06
REV. NO.	RELEASED DATE	REVISION DATE	SHEET NO.
	9/11/08		1 OF 1