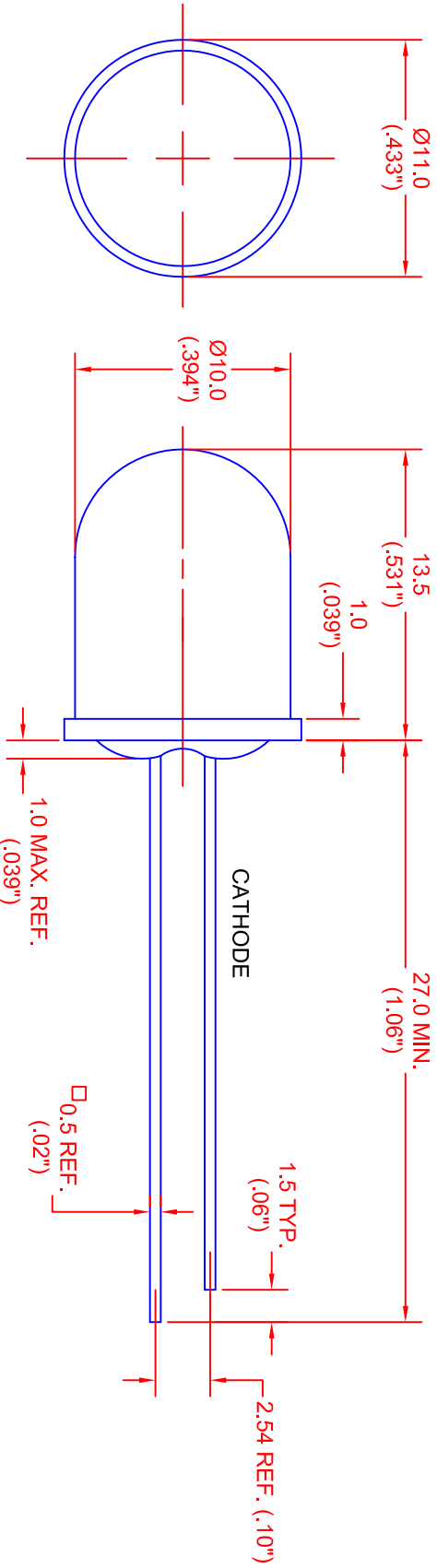


REV.	DESCRIPTION/ECO NO.	DATE
	RELEASED	11/5/08



ELECTRICAL & OPTICAL CHARACTERISTICS

JKL PART NUMBER	FORWARD VOLTAGE (DC)		FORWARD CURRENT (mA)*		OPERATING TEMP. (C)		INTENSITY mcd**		PEAK WAVELENGTH nm	COLOR		TYP. VIEWING 1/2 ANGLE DEGREE
	TYP.	MAX.	TYP.	MAX.	*MIN.	*MAX.	MIN.	TYP.		LED SOURCE (DICE)	LENS TYPE	
Z-1021G	2.2	2.5	20	25	-40	+85	5	12.5	565	GREEN Gap	GREEN DIFFUSED	140

* CONTINUOUS-DUTY RATING
 ** INTENSITY VALUES ARE AT TYPICAL FORWARD CURRENT OF 20mA.

NOTE: ELECTRO STATIC DISCHARGE PROTECTION REQUIRED WHEN HANDLING DEVICES.

METRIC 		DIMENSIONS ARE IN MILLIMETERS (INCHES) TOLERANCE UNLESS OTHERWISE SPECIFIED ±0.25mm (±0.01)		JKL COMPONENTS CORPORATION	
DRAWN BY L. WENGSTROM	DATE 11/5/08	APP'D BY L.R.	DATE 11/5/08	TITLE 10mm LARGE STRAIGHT FRAME ROUND GREEN DIFFUSED LED LAMP	FSGM NO. 55335
- CAD DRAWING - MANUAL REVISIONS NOT PERMITTED		SCALE NONE	RELEASED DATE 11/5/08	REVISION DATE Z-1021G	REV. NO. 1 OF 1