

10mm X 573.5mm RGB LED LIGHT BAR

FEATURES

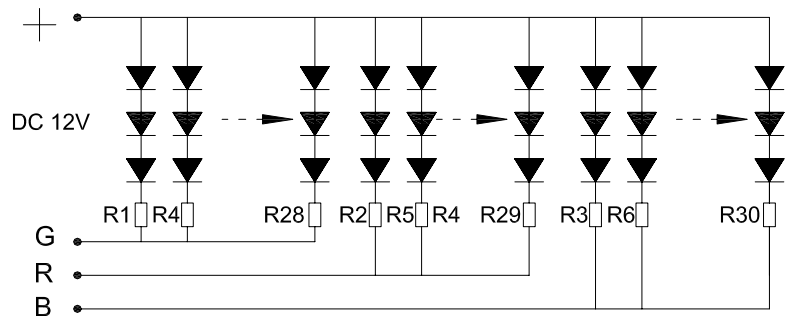
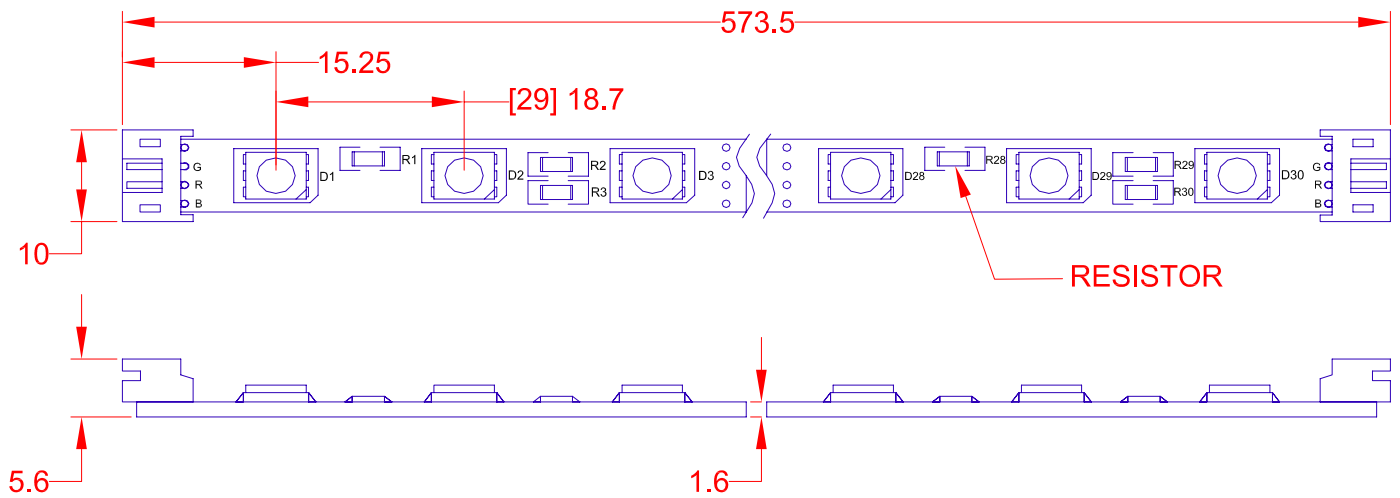
WORKING VOLTAGE: 12V DC.

WORKING CURRENT: 600mA.

LED VIEW ANGLE (2 θ 1/2): 100°.

PACKAGE: 1 PCS/PVC TUBE.

PCB THICKNESS: 1.6mm



ATTENTION



OBSERVE PRECAUTION FOR HANDLING ELECTROSTATIC DISCHARGE SENSITIVE DEVICES

JKL PART NO.: ZRS-10573-RGB

METRIC		DIMENSIONS ARE IN MILLIMETERS							
 THIRD ANGLE PROJECTION		TOLERANCE UNLESS OTHERWISE SPECIFIED 1 PL +/- REF. 2 PL +/- ANGLE +/-						TITLE	
DRAWN BY		APPV'D BY		SIZE	FSCM NO.	DRAWING NO.		TITLE	
L. WENGSTROM		L. R.		A	55335	ZRS-10573-RGB		10mm X 573.5mm RGB LED LIGHT BAR	
DATE		DATE		SCALE	RELEASED DATE	REVISION DATE	REV. NO.	SHEET	
1/31/08		1/31/08		NONE	12/11/07	1/31/08	A	1 OF 2	
- CAD DRAWING -		MANUAL REVISIONS NOT PERMITTED							

REV. NO.	DESCRIPTION/ECO NUMBER	APPV'D DATE
A	ADD ACCESSORIES NOTE PG 2	1/31/08
	RELEASED	12/11/07

10mm X 573.5mm RGB LED LIGHT BAR

Absolute Maximum Rating at TA = 25°C

Parameter	Symbol	Absolute Maximum Rating	Unit
Forward Current	IF	600	mA
Power Dissipation	PD	7.2	W
Electrostatic Discharge	ESD	800	V
Operating Temperature	Topr	-25~+60	°C
Storage Temperature	Tstg	-40~+80	°C

Electrical/Optical Characteristics at TA = 25°C

Parameter	Symbol	Color	Condition	Min	Typ	Max	Unit
Forward Voltage DC	VF	RGB	IF = 600mA	--	12	--	V
Dominant Wavelength	λD	R	IF = 200mA	621	624	--	nm
		G	IF = 200mA	516	518	--	
		B	IF = 200mA	469	471	--	
Luminous Flux	ϕV	R	IF = 200mA	--	21	--	lm
		G	IF = 200mA	--	55	--	
		B	IF = 200mA	--	21	--	
Recommend Forward Current	IF(rec)	--	--	--	600	--	mA

Note: Tolerance of measurement of luminous intensity +/- 15%.

JKL ACCESSORIES TO BE ORDERED SEPARATELY:

PCB MOUNTING CLIP: **ZRC-8**

INPUT CONNECTOR HARNESS: **ZCH-110-RGB-I**

JOINER CONNECTOR HARNESS: **ZCH-110-RGB-J**

LIGHTING COLOR REMOTE CONTROLLER: **ZCTR-01-RGB**