

# 13mm X 500mm LED LIGHT BAR

## FEATURES

VOLTAGE: 12V DC.

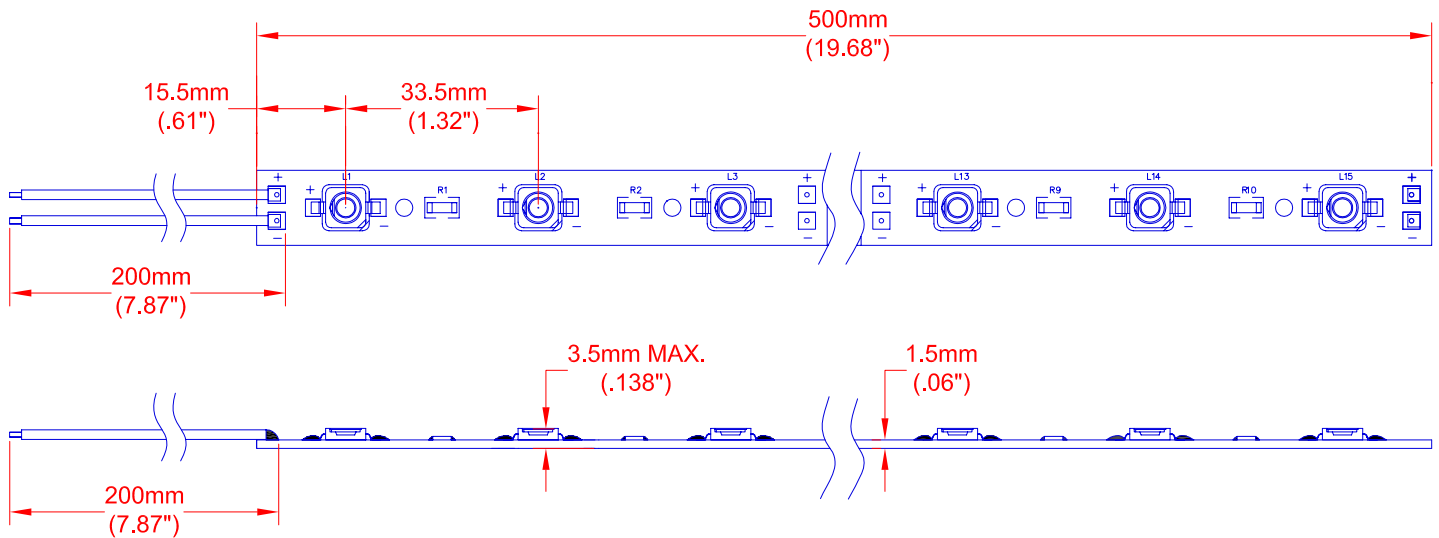
CURRENT: 750mA.

LED VIEW ANGLE (2  $\theta$  1/2): 120°.

PACKAGE: 1 PCS/PVC TUBE.

PRINTED CIRCUIT BOARD THICKNESS: 1.5mm

INTEGRATED ALUMINUM HEAT SINK



## ATTENTION



OBSERVE PRECAUTION  
FOR HANDLING ELECTROSTATIC  
DISCHARGE SENSITIVE DEVICES

JKL PART NO.: ZRS-13500/2800

<p>THIRD ANGLE PROJECTION</p>	<p>METRIC</p>	<p>DIMENSIONS ARE IN MILLIMETERS</p>	<p><b>JKL</b> COMPONENTS CORPORATION</p>						
	<p>TOLERANCE UNLESS OTHERWISE SPECIFIED</p> <p>1 PL +/- REF.</p> <p>2 PL +/- REF.</p> <p>ANGLE +/-</p>	<p>TITLE</p> <p>13mm X 500mm WHITE LED LIGHT BAR</p>	<p>SIZE</p> <p><b>A</b></p>	<p>FSCM NO.</p> <p><b>55335</b></p>	<p>DRAWING NO.</p> <p><b>ZRS-13500/2800</b></p>	<p>RELEASED DATE</p> <p><b>9/3/08</b></p>	<p>REVISION DATE</p>	<p>REV. NO.</p>	<p>SHEET 1 OF 2</p>
<p>DRAWN BY</p> <p>L. WENGSTROM</p>	<p>APPV'D BY</p> <p>L. R.</p>	<p>DATE</p> <p>9/3/08</p>	<p>SCALE</p> <p>NONE</p>	<p>RELEASED DATE</p> <p><b>9/3/08</b></p>	<p>REVISION DATE</p>	<p>REV. NO.</p>	<p>SHEET 1 OF 2</p>	<p>REV. NO.</p>	<p>SHEET 1 OF 2</p>
<p>RELEASED</p>	<p>9/3/08</p>	<p>APPV'D DATE</p>	<p>- CAD DRAWING - MANUAL REVISIONS NOT PERMITTED</p>	<p>SCALE</p> <p>NONE</p>	<p>RELEASED DATE</p> <p><b>9/3/08</b></p>	<p>REVISION DATE</p>	<p>REV. NO.</p>	<p>SHEET 1 OF 2</p>	

# 13mm X 500mm LED LIGHT BAR

## Absolute Maximum Rating at TA = 25°C

Parameter	Symbol	Absolute Maximum Rating	Unit
Forward Current	IF	750	mA
Power Dissipation	PD	9	W
Electrostatic Discharge	ESD	800	V
Operating Temperature	Topr	-25~+60	°C
Storage Temperature	Tstg	-40~+80	°C

## Electrical/Optical Characteristics at TA = 25°C

Parameter	Symbol	Condition	Min	Typ	Max	Unit
Forward Voltage DC	VF	IF = 750mA	--	12	--	V
Color Coordinates	x, y	IF = 750mA	--	.435	--	x
			--	.374	--	y
Luminous Flux	φV	IF = 750mA	--	320	--	lm
Recommend Forward Current	IF(rec)	--	--	750	--	mA
Color Temperature	cct	--	--	2800	--	°k

## PACKAGING



1 PCS/PVC TUBE  
13mm X 500mm STRIP  
15 LED MODULES