

FIGURE 1

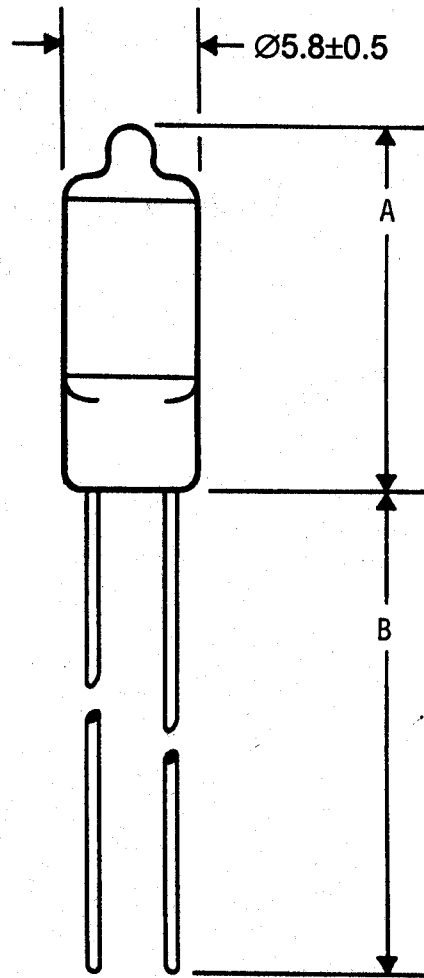


FIGURE 2

JKL PART NUMBER	USA INDUSTRIAL EQUIVALENT	VOLTAGE CIRCUIT	BREAK-DOWN	NOMINAL AMPERAGE	SERIES RESISTOR (OHMS)	LIFE HOURS AVERAGE	DIMENSION A MAXIMUM	DIMENSION B +/- 6.35	FIGURE NUMBER
FN5TG	-	105-125	95 VAC	0.0015	33K	10,000	13.0	32.0	1
FN5EG	-	105-125	90 VAC	0.0015	33K	10,000	16.0	32.0	2
FN3EG	-	105-125	80 VAC	.0015	33K	10,000	19.0	32.0	2

UNCONTROLLED COPY

<p>THIRD ANGLE PROJECTION</p>	<p>METRIC</p> <p>DIMENSIONS ARE IN MILLIMETERS</p> <p>TOLERANCE UNLESS OTHERWISE SPECIFIED</p> <p>1 PL +/- 0.2</p> <p>2 PL +/- 0.20</p> <p>ANGLE +/-</p>	<p><b>JKL COMPONENTS CORPORATION</b></p>				
	<p>TITLE</p> <p>NEON T-2 END TIP GREEN FLUOR. LAMP</p>	<p>SIZE</p> <p><b>A</b></p>	<p>FSCM NO.</p> <p><b>55335</b></p>	<p>DRAWING NO.</p> <p><b>NEON T-2 END TIP GREEN FLUOR</b></p>	<p>SCALE</p> <p><b>NONE</b></p>	
<p>DRAWN BY</p> <p>L. WENGSTROM</p>	<p>APP'VD BY</p> <p>ED</p>	<p>DATE</p> <p>1/29/01</p>	<p>RELEASED DATE</p> <p>1/29/01</p>	<p>REVISION DATE</p>	<p>REV. NO.</p>	<p>SHEET</p> <p>1 of 1</p>
<p>RELEASED</p>		<p>1/29/01</p>	<p>- CAD DRAWING -</p> <p>MANUAL REVISIONS NOT PERMITTED</p>			
<p>REV. NO.</p>	<p>DESCRIPTION/ECO NUMBER</p>	<p>APP'VD DATE</p>				