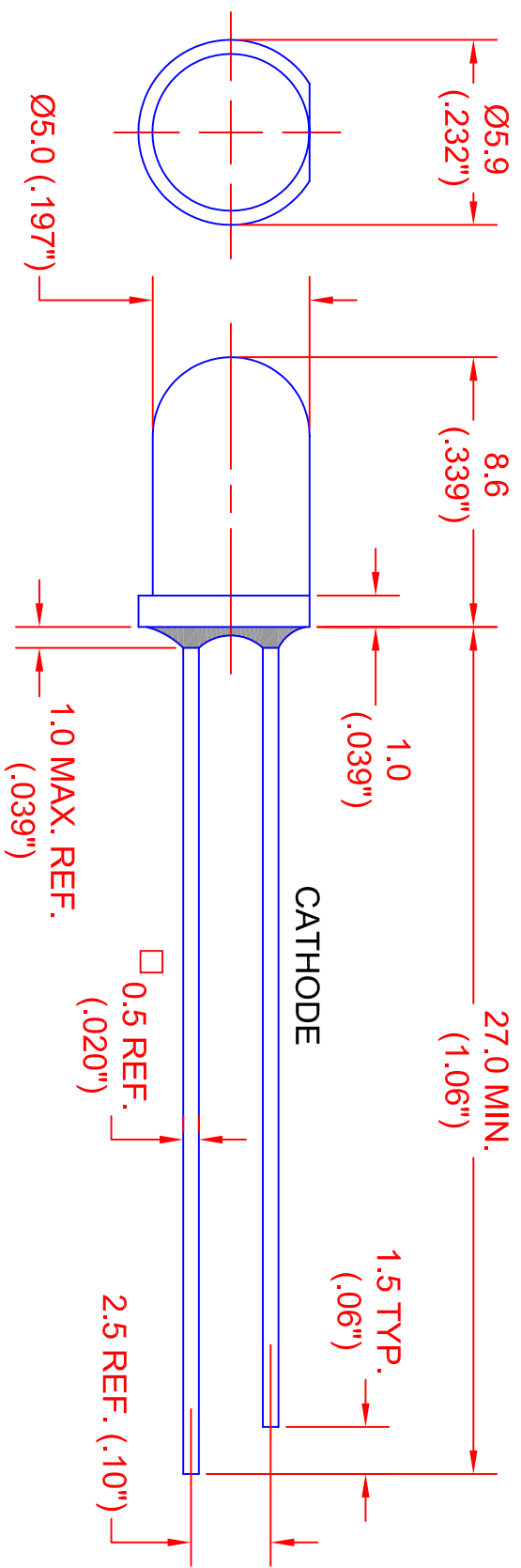


REV.	DESCRIPTION/ECO NO.	DATE
	RELEASED	1/6/09
A	INTENSITY CHING MIN. & TYP.	3/9/10



ELECTRICAL & OPTICAL CHARACTERISTICS

JKL PART NUMBER	FORWARD VOLTAGE (DC)		FORWARD CURRENT (mA)		OPERATING TEMP. (C)		INTENSITY mcd		PEAK WAVELENGTH nm	COLOR	
	TYP.	MAX.	TYP.	MAX.	MIN.	MAX.	MIN.	TYP.		LED SOURCE (DICE)	LENS TYPE
ZB-224GY	2.2	2.5	20	30	-40	+85	10	20	555	GREEN (Gap)	WHITE
	2.1	2.5	20	30			4	10	590	YELLOW (GaAsP/Gap)	DIFFUSED

NOTE: DEVICE IS A BI-DIRECTIONAL DEVICE. CURRENT FLOW IN BOTH DIRECTIONS IS POSSIBLE WITH COLOR CHANGING WITH CURRENT DIRECTION.

ELECTRO STATIC DISCHARGE PROTECTION REQUIRED WHEN HANDLING DEVICES.

		METRIC DIMENSIONS ARE IN MILLIMETERS (INCHES)		JKL COMPONENTS CORPORATION	
TOLERANCE UNLESS OTHERWISE SPECIFIED ±0.25mm (±0.01)		TITLE T-1 3/4 BI-COLOR LED, STANDARD STRAIGHT FRAME ROUND LED LAMP		SCALE NONE	
DRAWN BY L. WENGSTROM	APP'D BY L.R.	DATE 3/9/10	SIZE A	FSCM NO. 55335	DRAWING NO. ZB-224GY
- CAD DRAWING - MANUAL REVISIONS NOT PERMITTED		RELEASED DATE 1/6/09	REVISION DATE 3/9/10	REV. NO. A	SHEET NO. 1 OF 1