

10mm X 5040mm RGB LIGHT RIBBON

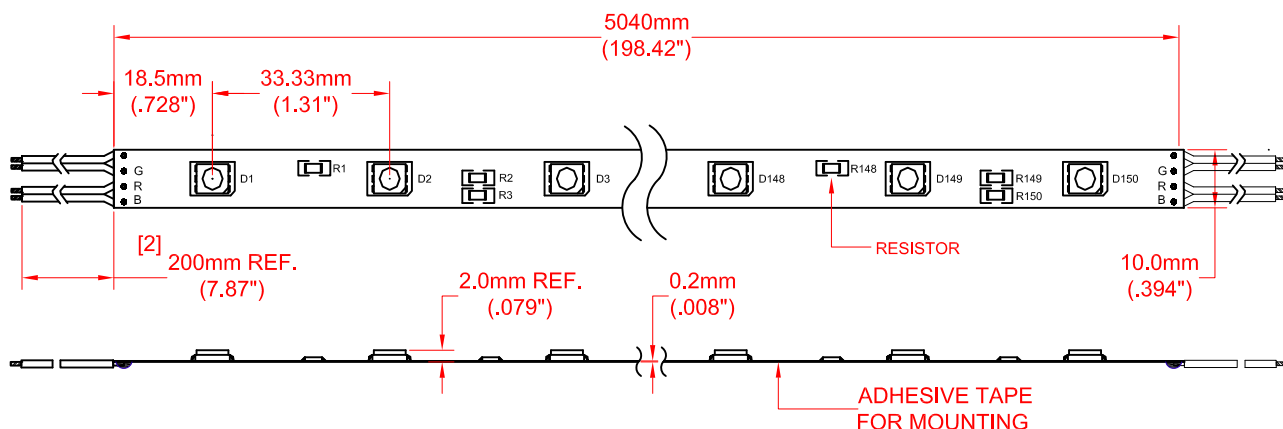
FEATURES

VOLTAGE: 12V DC
 CURRENT: 3A
 LED VIEWING ANGLE (2 θ 1/2): 100°

STANDARD PACKAGING:
 5 METER REEL (150 LED'S)

OPTIONAL PACKAGING:
 INDIVIDUAL 504mm SECTIONS (15 LED'S)
 ORDER AS ZFS-10504-RGB/SEC

Note: Individual Sections ARE NOT supplied with insulated wire connections.

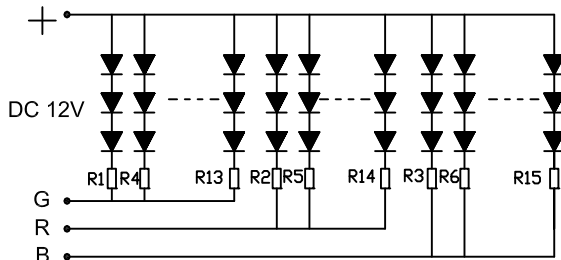


Absolute Maximum Rating at TA = 25°C

Parameter	Symbol	Absolute Maximum Rating	Unit
Forward Current	IF	3	mA
Power Dissipation	PD	36	W
Electrostatic Discharge	ESD	400	V
Operating Temperature	Topr	-25~+60	°C
Storage Temperature	Tstg	-40~+80	°C

Electrical/Optical Characteristics at TA = 25°C

Parameter	Symbol	Color	Condition	Min	Typ	Max	Unit
Forward Voltage DC	VF	RGB	IF = 3A	--	12	--	V
Dominant Wavelength	λD	R	IF = 1A	621	624	--	nm
		G	IF = 1A	515	518	--	
		B	IF = 1A	469	471	--	
Luminous Flux	φV	R	IF = 1A	--	95	--	lm
		G	IF = 1A	--	330	--	
		B	IF = 1A	--	95	--	
Recommend Forward Current	IF(rec)	--	--	--	3	--	A



JKL PART NO.: ZFS-10504-RGB

ATTENTION



OBSERVE PRECAUTION FOR HANDLING ELECTROSTATIC DISCHARGE SENSITIVE DEVICES

METRIC		DIMENSIONS ARE IN mm (INCHES)		JKL COMPONENTS CORPORATION								
THIRD ANGLE PROJECTION		TOLERANCE UNLESS OTHERWISE SPECIFIED 1 PL +/- REF. 2 PL +/- REF. ANGLE +/-		TITLE RGB LED FLEX STRIP								
REV. NO.	DESCRIPTION/ECO NUMBER	APPV'D DATE	DRAWN BY L. WENGSTROM	APPV'D BY L.R.	DATE 2/16/11	SIZE A	FSCM NO. 55335	DRAWING NO. ZFS-10504-RGB	RELEASED DATE 5/12/09	REVISION DATE 2/16/11	REV. NO. B	SHEET 1 OF 1
- CAD DRAWING - MANUAL REVISIONS NOT PERMITTED			SCALE NONE		RELEASED DATE 5/12/09		REVISION DATE 2/16/11		REV. NO. B		SHEET 1 OF 1	