

8mm X 500mm SMD LIGHT RIBBON

FEATURES

VOLTAGE: 12V DC

CURRENT: 200mA

LED VIEWING ANGLE (2 θ 1/2): 120°

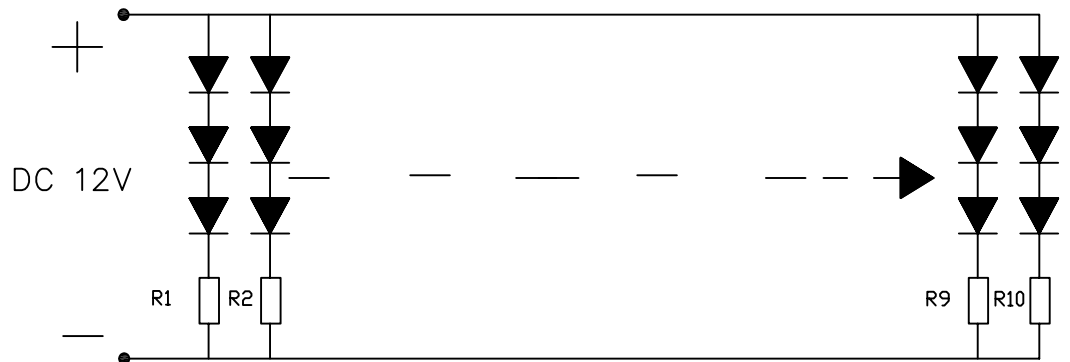
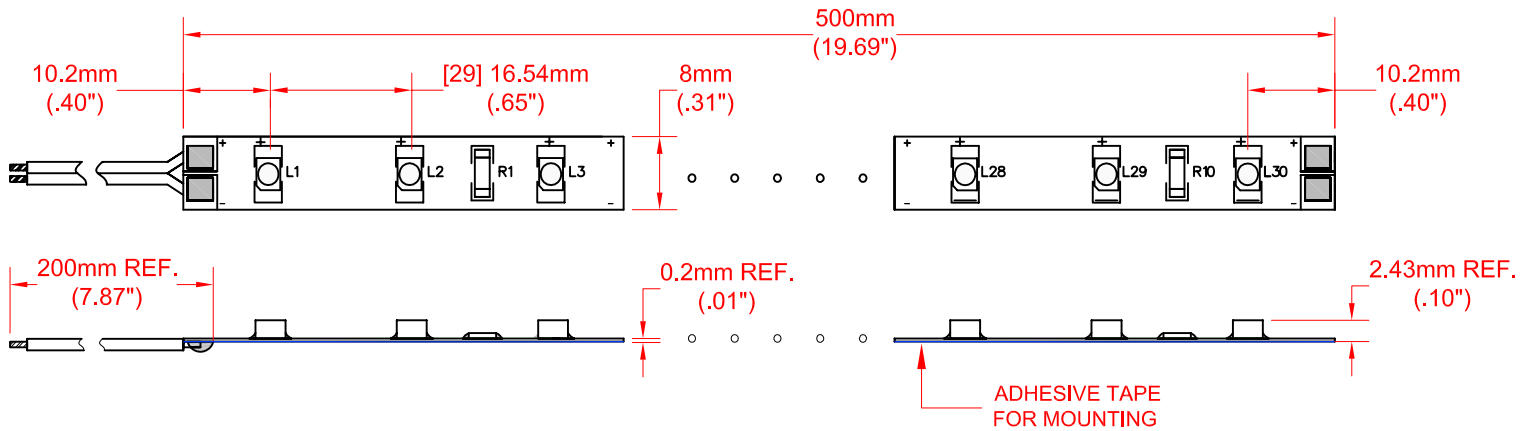
STANDARD PACKAGING OPTIONS:

Individual 500mm sections (30 LED's):

Order as ZFS-8500-WW/SEC.

NOTE: Individual sections are not supplied with insulated wire connection.

5 Meter Reel: Order as ZFS-8500-WW



ATTENTION



OBSERVE PRECAUTION FOR HANDLING ELECTROSTATIC DISCHARGE SENSITIVE DEVICES

JKL PART NO.: ZFS-8500-WW

		METRIC THIRD ANGLE PROJECTION		DIMENSIONS ARE IN mm (INCHES) TOLERANCE UNLESS OTHERWISE SPECIFIED 1 PL +/- REF. 2 PL +/- REF. ANGLE +/-		JKL COMPONENTS CORPORATION					
						TITLE WARM WHITE LED FLEX RIBBON					
B ADD ACCESSORIES NOTE PG 2 3/31/10		A CHANGE PACKAGING NOTE 9/2/08	DRAWN BY L. WENGSTROM	APPV'D BY L.R.	DATE 3/31/10	SIZE A	FSCM NO. 55335	DRAWING NO. ZFS-8500-WW			
REV. NO.		DESCRIPTION/ECO NUMBER		APPV'D DATE		SCALE NONE		RELEASED DATE 7/29/08	REVISION DATE 3/31/10	REV. NO. B	SHEET 1 OF 2
				- CAD DRAWING - MANUAL REVISIONS NOT PERMITTED							

8mm X 500mm SMD LIGHT RIBBON

RATINGS ARE PER SECTION

Absolute Maximum Rating at TA = 25°C

Parameter	Symbol	Absolute Maximum Rating	Unit
Forward Current	IF	200	mA
Power Dissipation	PD	2.4	W
Electrostatic Discharge	ESD	800	V
Operating Temperature	Topr	-25~+60	°C
Storage Temperature	Tstg	-40~+80	°C

Electrical/Optical Characteristics at TA = 25°C

Parameter	Symbol	Condition	Min	Typ	Max	Unit
Forward Voltage DC	VF	IF = 200mA	--	12	--	V
Color Temperature	TC	IF = 200mA	3560			K
Luminous Flux	φV	IF = 200mA	--	70	--	lm
Recommend Forward Current	IF(rec)	--	--	200	--	mA

ACCESSORIES:

ZFS-CH0-J No Solder Flex Tape Connectors
ZFS-CH205-J No Solder Flex Tape Cable Connectors
ZFS-CH200-I No Solder Flex Tape Input Cable Connector
CLG-150-12C MeanWell Power Supply