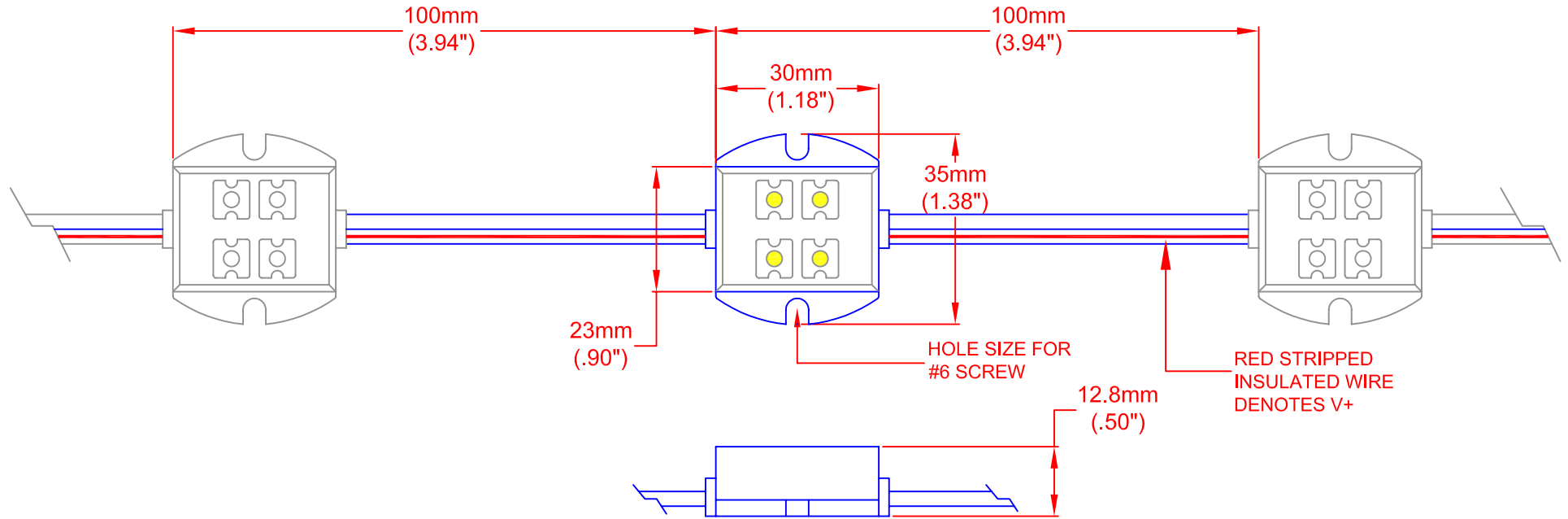


STANDARD PACKAGING: 100 UNITS PER COIL

WATERPROOF

REV.	DESCRIPTION/ECO NO.	DATE
	RELEASE & CANCEL PL-0705-02	7/12/07
A	ADD COLOR TEMP. & DIMS IN INCH.	3/11/08
B	DIM. CHANGE, 26mm TO 23mm.	8/4/09



NOTE: ALL RATINGS ARE PER MODULE.

Absolute Maximum Ratings (Ta=25°C)		
Description	Max.	Units
Continuous Forward Current	40	mA
Power	0.48	W
Operating Temperature Range	-25°C to +60°C	
Storage Temperature Range	-40°C to +80°C	

NOTE: STANDARD MOUNTING OPTIONS INCLUDE ADHESIVE BACKING AND MOUNTING TABS FOR A #6 SCREW (screws not included).

Electrical and Optical Characteristics (Ta=25°C)		
Description	Typical	Units
Input Voltage @ I _F = 40mA	12	Volts dc
Illumination @ 6"	300	LX
Color Temperature	7000	K

METRIC THIRD ANGLE PROJECTION	DIMENSIONS ARE IN mm (INCHES)	JKL COMPONENTS CORPORATION TITLE LED CHANNEL LIGHT				
	TOLERANCE UNLESS OTHERWISE SPECIFIED 1 PL +/- REF. 2 PL +/- REF. ANGLE +/- 0					
DRAWN BY L. WENGSTROM	APPV'D BY L.R.	DATE 8/4/09	SIZE A	FSCM NO. 55335	DRAWING NO. ZMR-12113-12W	REV. B
- CAD DRAWING - MANUAL REVISIONS NOT PERMITTED			SCALE NONE	RELEASED DATE 7/12/07	RELEASED DATE 8/4/09	SHEET 1 OF 1