

# 13mm X 500mm LED LIGHT BAR

## FEATURES

VOLTAGE: 12V DC.

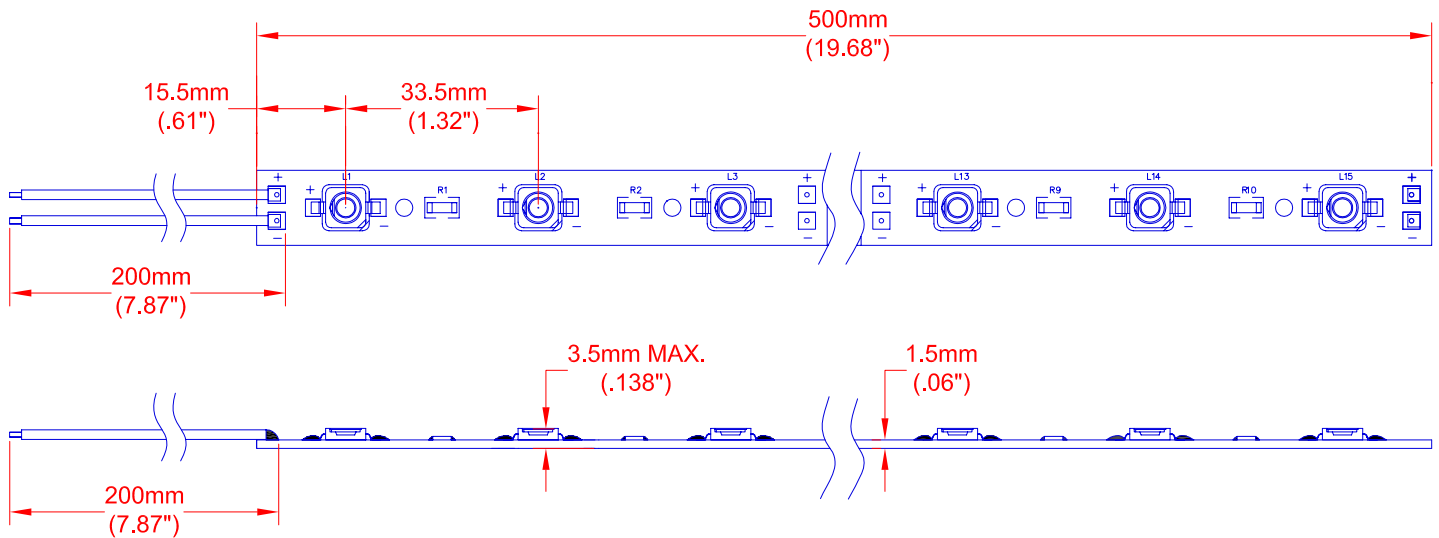
CURRENT: 750mA.

LED VIEW ANGLE (2  $\theta$  1/2): 120°.

PACKAGE: 1 PCS/PVC TUBE.

PRINTED CIRCUIT BOARD THICKNESS: 1.5mm

INTEGRATED ALUMINUM HEAT SINK

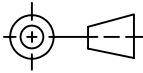


## ATTENTION



OBSERVE PRECAUTION  
FOR HANDLING ELECTROSTATIC  
DISCHARGE SENSITIVE DEVICES

JKL PART NO.: ZRS-13500/2800

<b>METRIC</b>  THIRD ANGLE PROJECTION		DIMENSIONS ARE IN MILLIMETERS TOLERANCE UNLESS OTHERWISE SPECIFIED 1 PL +/- REF. 2 PL +/- REF. ANGLE +/-		<b>JKL COMPONENTS CORPORATION</b>			
DRAWN BY		APPV'D BY		SIZE	FSCM NO.	DRAWING NO.	
L. WENGSTROM		L. R.		A	55335	ZRS-13500/2800	
DATE		DATE		SCALE	RELEASED DATE	REVISION DATE	
9/3/08		9/3/08		NONE	9/3/08		
REV. NO.		DESCRIPTION/ECO NUMBER		APPV'D DATE		SHEET	
						1 OF 2	

**JKL** COMPONENTS CORPORATION

TITLE  
13mm X 500mm WHITE LED LIGHT BAR

DRAWING NO. ZRS-13500/2800

RELEASED DATE 9/3/08 REVISION DATE REV. NO. SHEET 1 OF 2

# 13mm X 500mm LED LIGHT BAR

## Absolute Maximum Rating at TA = 25°C

Parameter	Symbol	Absolute Maximum Rating	Unit
Forward Current	IF	750	mA
Power Dissipation	PD	9	W
Electrostatic Discharge	ESD	800	V
Operating Temperature	Topr	-25~+60	°C
Storage Temperature	Tstg	-40~+80	°C

## Electrical/Optical Characteristics at TA = 25°C

Parameter	Symbol	Condition	Min	Typ	Max	Unit
Forward Voltage DC	VF	IF = 750mA	--	12	--	V
Color Coordinates	x, y	IF = 750mA	--	.435	--	x
			--	.374	--	y
Luminous Flux	φV	IF = 750mA	--	320	--	lm
Recommend Forward Current	IF(rec)	--	--	750	--	mA
Color Temperature	cct	--	--	2800	--	°k

## PACKAGING



1 PCS/PVC TUBE  
13mm X 500mm STRIP  
15 LED MODULES