

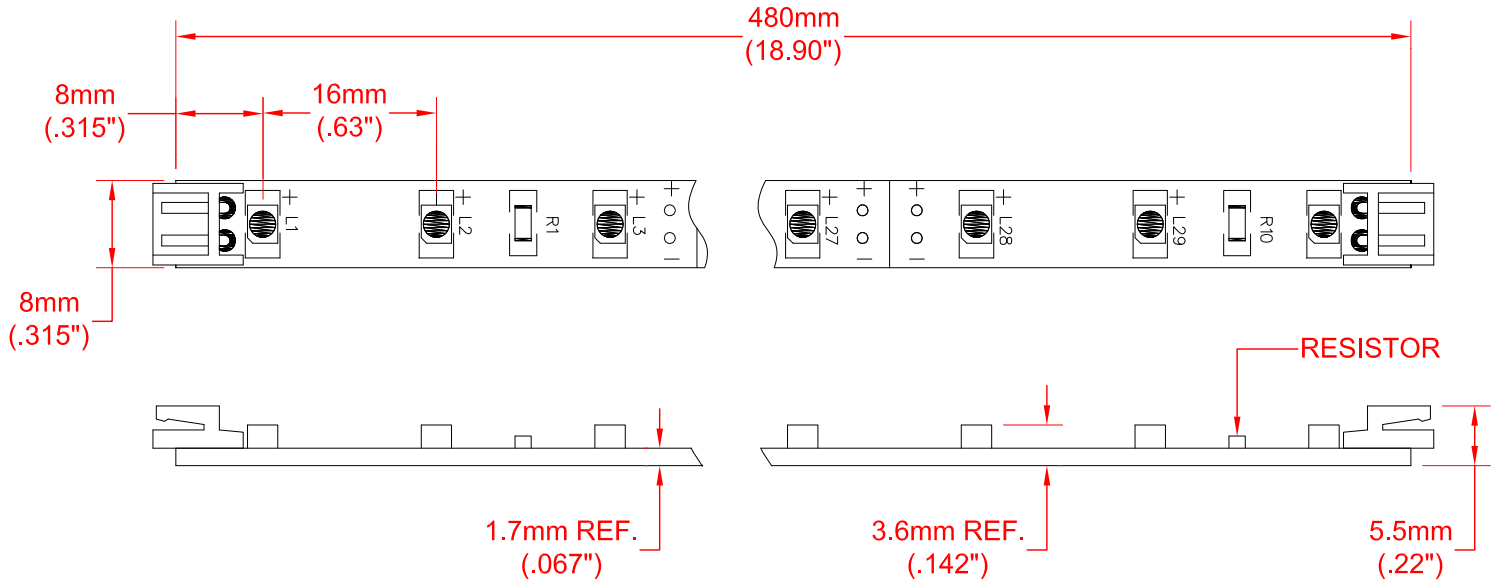
FEATURES

8mm X 480mm LED LIGHT BAR

VOLTAGE: 12V DC.

CURRENT: 200mA.

VIEWING ANGLE (2 θ 1/2): 120°



Maximum Rating at TA = 25°C

Parameter	Symbol	Absolute Maximum Rating	Unit
Forward Current	IF	200	mA
Power Dissipation	PD	2.4	W
Electrostatic Discharge	ESD	800	V
Operating Temperature	Topr	-25~+60	°C
Storage Temperature	Tstg	-40~+80	°C

Electrical/Optical Characteristics at TA = 25°C

Parameter	Symbol	Condition	Min	Typ	Max	Unit
Forward Voltage DC	VF	IF = 200mA	--	12	--	V
Color Coordinates	x, y	IF = 200mA	.3433	--	.3859	x
			.3320	--	.4129	y
Luminous Flux	φV	IF = 200mA	--	84	--	lm

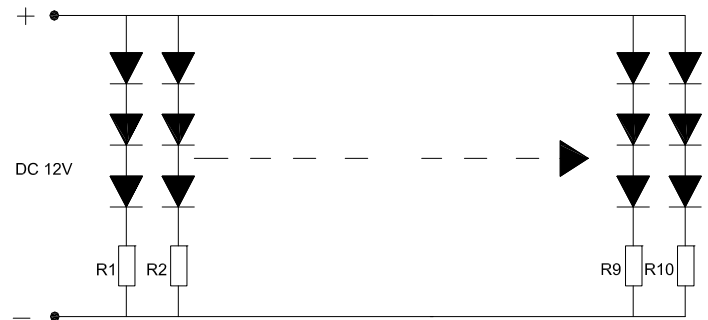
JKL ACCESSORIES
TO BE ORDERED SEPARATELY

PCB MOUNTING CLIP: ZRC-8
POWER CONNECTOR: ZCH-200-I
JOINER CONNECTOR HARNESS: ZCH-101-J

ATTENTION



OBSERVE PRECAUTION
FOR HANDLING ELECTROSTATIC
DISCHARGE SENSITIVE DEVICES



JKL PART NO.: ZRS-8480-NW

METRIC THIRD ANGLE PROJECTION			DIMENSIONS ARE IN MILLIMETERS TOLERANCE UNLESS OTHERWISE SPECIFIED 1 PL +/- 1 2 PL +/- ANGLE +/-			JKL COMPONENTS CORPORATION TITLE 8mm X 480mm NEUTRAL WHITE LED LIGHT BAR						
B ADD CONNECTOR HEIGHT DIMENSION A CHANGE FEATURES RELEASED	6/21/11 5/4/10 4/22/08	DRAWN BY L. WENGSTROM	APPV'D BY L.R.	DATE 6/21/11	SIZE A	FSCM NO. 55335	DRAWING NO. ZRS-8480-NW	SCALE NONE	RELEASED DATE 4/22/08	REVISION DATE 6/21/11	REV. NO. B	SHEET 1 OF 1
- CAD DRAWING - MANUAL REVISIONS NOT PERMITTED												