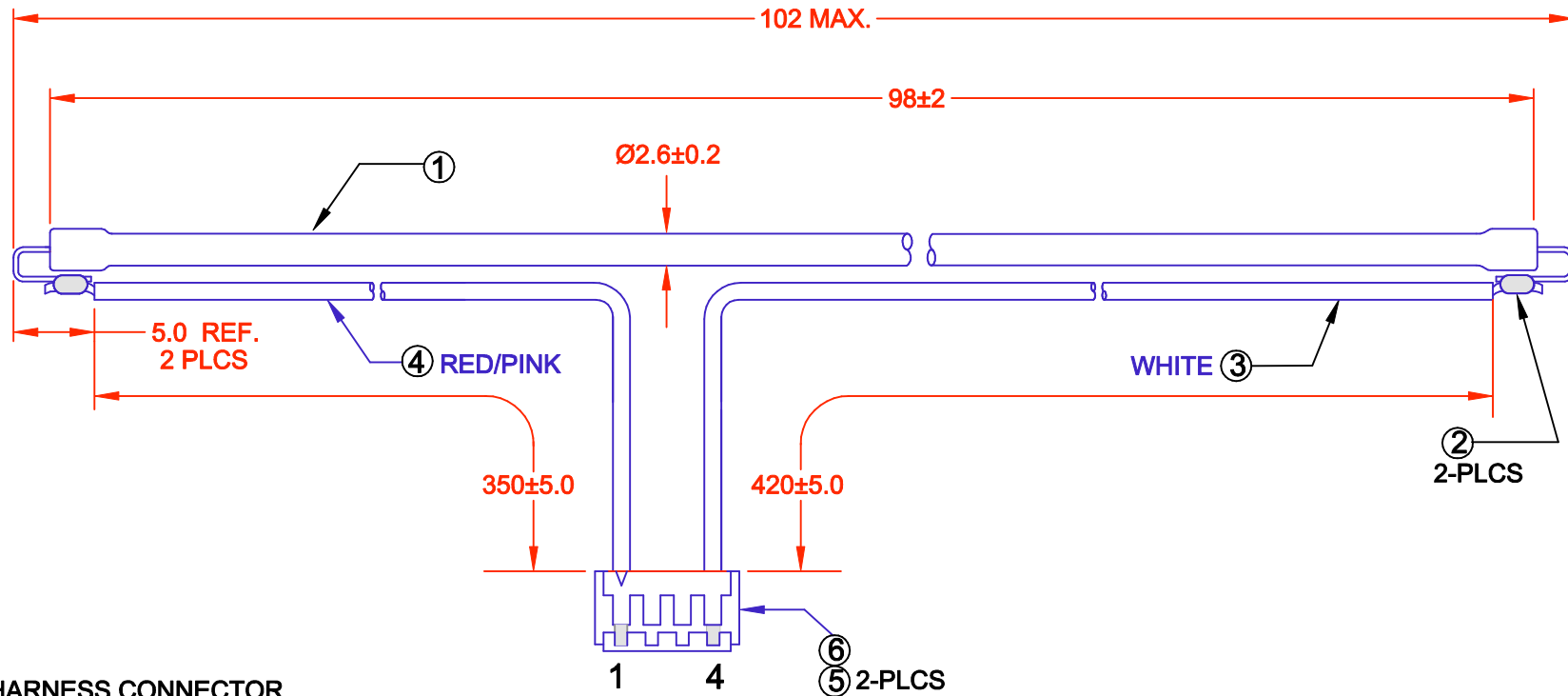


REV.	DESCRIPTION/ECO NO.	DATE
	RELEASE & CANCEL P-0305-07	12/2/03
A	TOL. CHNG. ON WIRE DIM.	12/23/03



**HARNESS CONNECTOR**

PIN	WIRE TYPE	AWG	COLOR
1	UL 3239	24	PNK
2	N/C		
3	N/C		
4	UL 3239	24	WHT

ITEM	QTY	PART NUMBER	DESCRIPTION
1	1	BF2698-20B	CCFL
2	2	***	SOLDER
3	1	RH-UL3239-24-WHT	WIRE
4	1	RH-UL3239-24-PNK	WIRE
5	2	SEH-001T-P0.6	CONTACT (JST)
6	1	EHR-4	HOUSING (JST)

**JKL PART NO.: BF2698-20B/ASSY/01**

<p><b>METRIC</b> THIRD ANGLE PROJECTION</p>	<p>DIMENSIONS ARE IN MILLIMETERS TOLERANCE UNLESS OTHERWISE SPECIFIED 1 PL +/- REF. 2 PL +/- ANGLE +/-</p>	<p><b>JKL COMPONENTS CORPORATION</b></p>			
	<p>TITLE <b>LAMP ASSEMBLY CCFL WITH HARNESS AND CONNECTOR</b></p>				
<p>DRAWN BY L. WENGSTROM</p>	<p>APPVD BY J.K.</p>	<p>DATE 12/23/03</p>	<p>SIZE <b>A</b></p>	<p>F8CM NO. <b>55335</b></p>	<p>DRAWING NO. <b>BF2698-20B/ASSY/01</b></p>
<p>- CAD DRAWING - MANUAL REVISIONS NOT PERMITTED</p>			<p>SCALE <b>NONE</b></p>	<p>RELEASED DATE 12/2/03</p>	<p>REVISION DATE 12/23/03</p>
					<p>REV. NO. <b>A</b> SHEET 1 OF 1</p>