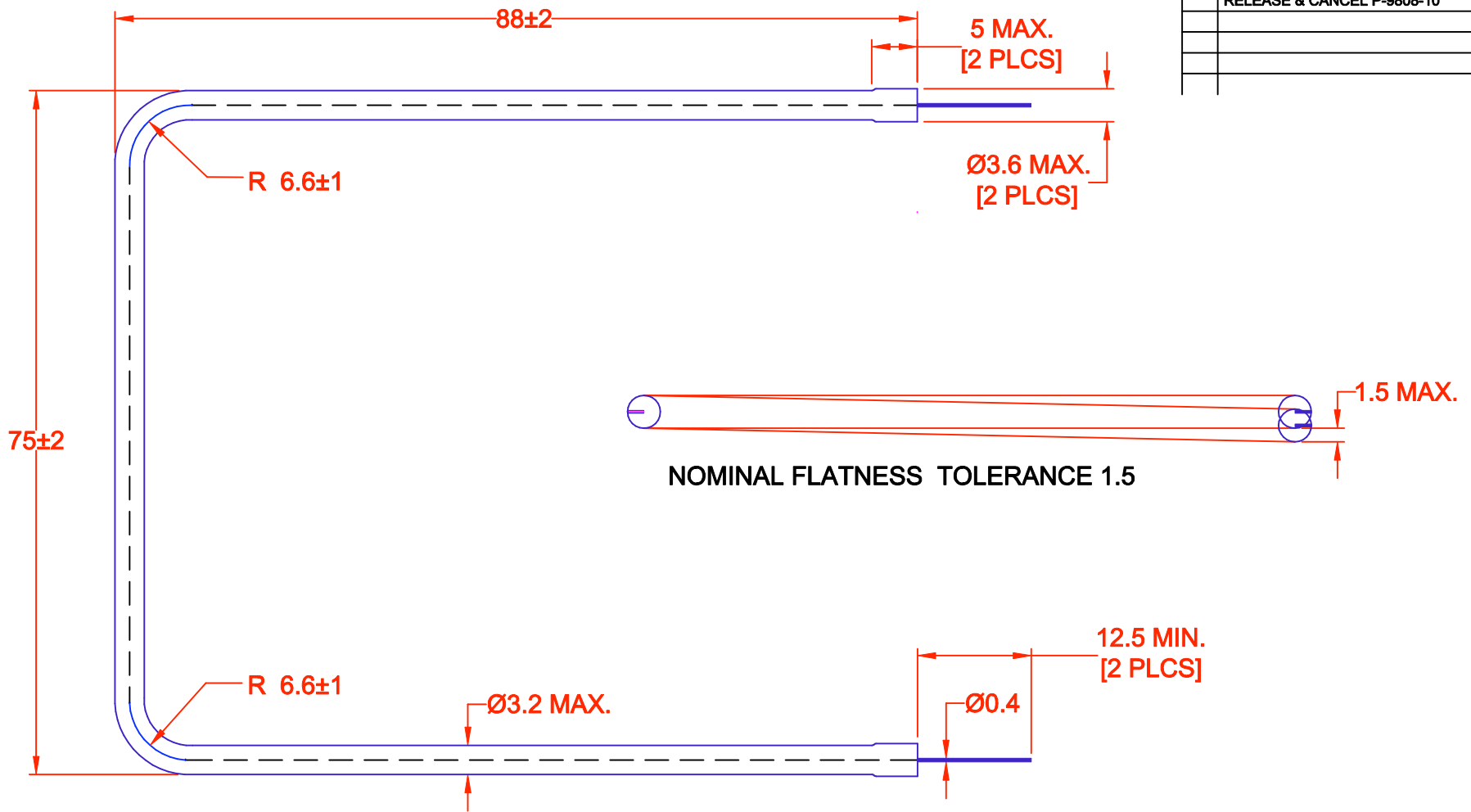


REV.	DESCRIPTION/ECO NO.	DATE
	RELEASE & CANCEL P-9808-10	2/12/03



JKL LAMP PART NUMBER	COLOR REF.	STARTING CIRCUIT VOLTAGE VS (Vrms)	OPERATING LAMP VOLTAGE VL (Vrms)	OPERATING LAMP CURRENT IL (mA rms)	BRIGHTNESS (CANDELA/m ²)	*RATED LIFE (HRS)
BF3U7588-22B	RGB WHITE x = .285 y = .295 9200°k	1200	520	5	25,000 ± 2,500	20,000

* RATED LIFE IS DEFINED AS THE POINT AT WHICH THE INTENSITY BECOMES 50% OF THE INITIAL RATING.

<p>THIRD ANGLE PROJECTION</p>	<p>METRIC</p> <p>DIMENSIONS ARE IN MILLIMETERS</p> <p>TOLERANCE UNLESS OTHERWISE SPECIFIED</p> <p>1 PL +/- 0.3</p> <p>2 PL +/- ANGLE +/-</p>	<p>JKL COMPONENTS CORPORATION</p>					
	<p>DRAWN BY L. WENGSTROM</p>	<p>APPVD BY J.K.</p>	<p>DATE 2/12/03</p>	<p>SIZE A</p>	<p>FSCM NO. 55335</p>	<p>DRAWING NO. BF3U7588-22B</p>	
<p>- CAD DRAWING - MANUAL REVISIONS NOT PERMITTED</p>			<p>SCALE NONE</p>	<p>RELEASED DATE 2/12/03</p>	<p>REVISION DATE</p>	<p>REV. NO.</p>	<p>SHEET 1 OF 1</p>