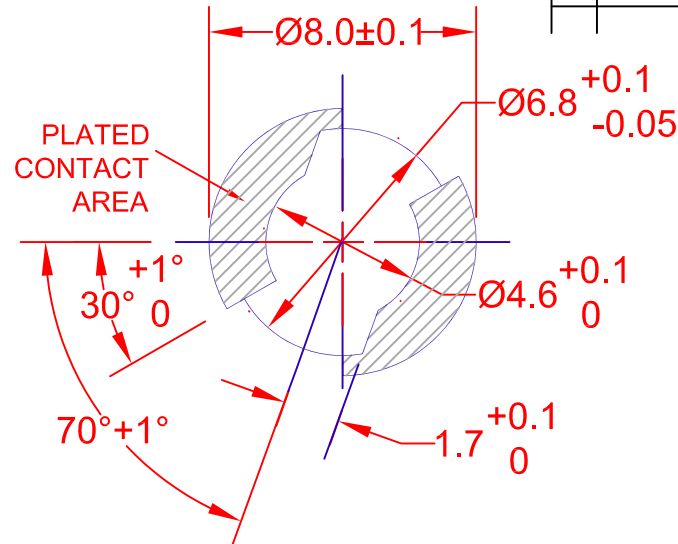
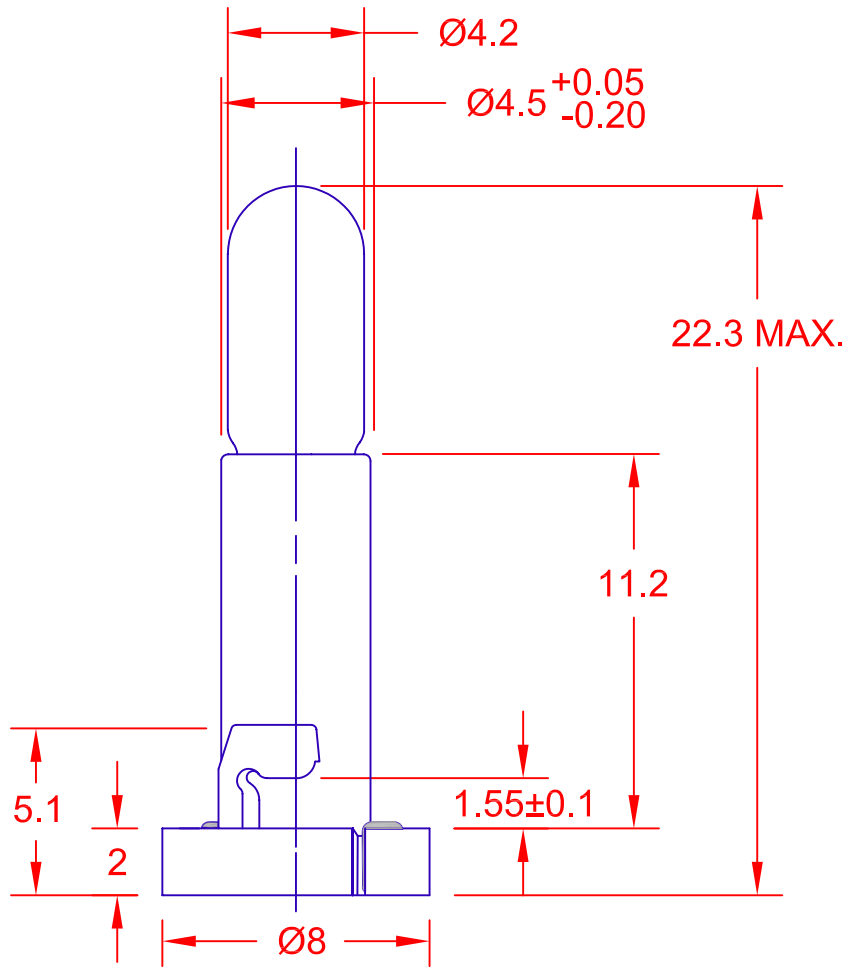


REV.	DESCRIPTION/ECO NO.	DATE
	RELEASED AND CANCEL P-0011-07	3/12/01
A	ADD REV. TO LEAD DIA.	4/2/01



BOARD THICKNESS  $1.6 \pm 0.1\text{mm}$ .  
PC BOARD PUNCH PATTERN

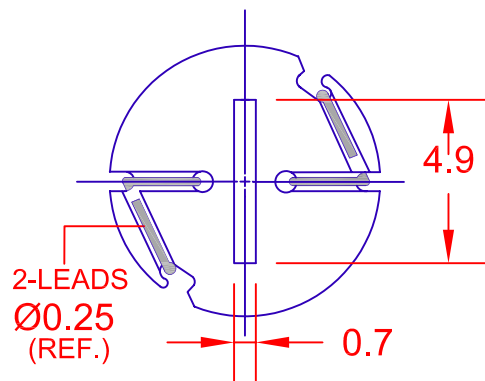
JKL PART NO.: CNW1-DW10/WHI/22.3MM

**LAMP NUMBER: DW10**

VOLTS RATED	AMPS $\pm 10\%$	*MSCP $\pm 25\%$	*LUMENS $\pm 25\%$	AVERAGE LIFE HRS.	FILAMENT TYPE
14.0	.100	.500	6.29	5,000 D.C.	C-2F

\*LAMP RATING ONLY WITHOUT BASE AND FILTER

**BASE COLOR: WHITE**



METRIC		DIMENSIONS ARE IN MILLIMETERS		JKL COMPONENTS CORPORATION			
 THIRD ANGLE PROJECTION	TOLERANCE UNLESS OTHERWISE SPECIFIED		TITLE				
	1 PL +/- 0.2	2 PL +/- 0.20	T-1 EXTENDED NEO-WEDGE BASE WITH DW10 LAMP				
DRAWN BY L. WENGSTROM	APPV'D BY JK	DATE 4/2/01	SIZE A	FSCM NO. 55335	DRAWING NO. <b>CNW1-DW10/WHI/22.3MM</b>		
- CAD DRAWING - MANUAL REVISIONS NOT PERMITTED			SCALE NONE	RELEASED DATE 3/12/01	REVISION DATE 4/2/01	REV. NO. A SHEET 1 OF 1	