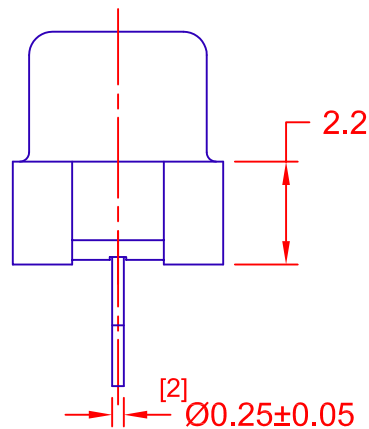
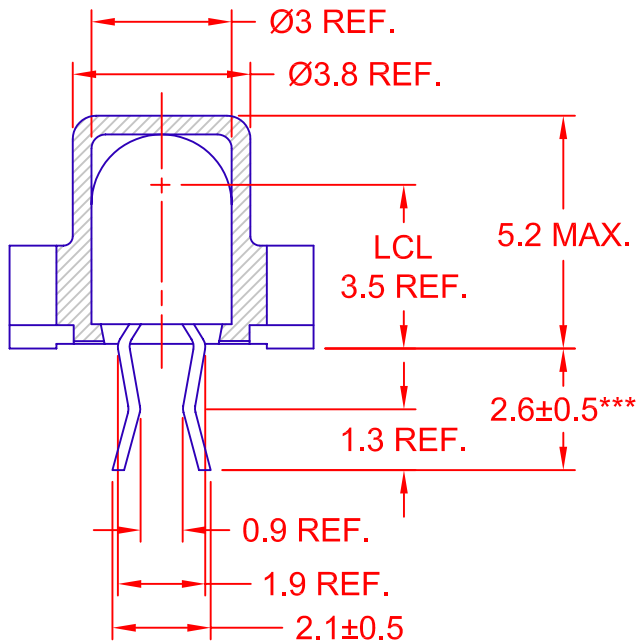
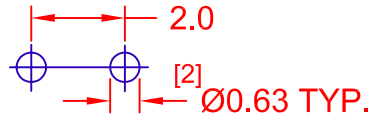
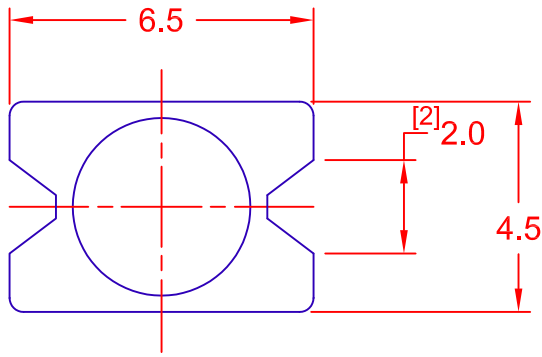


REV.	DESCRIPTION/ECO NO.	DATE
	RELEASE & CANCEL P-0407-14	4/4/05



JKL PART NUMBER: CSD2-7152FL/39-25-5A

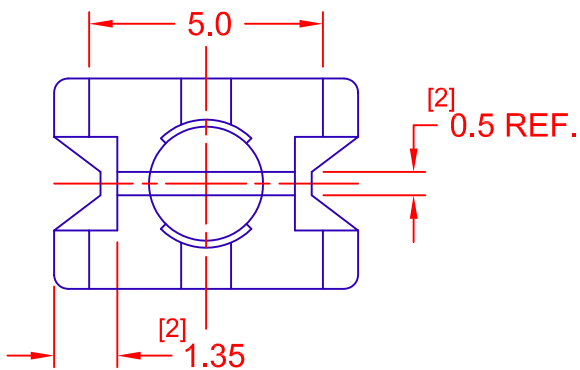
LAMP NUMBER: 7152**					
VOLTS RATED	AMPS ± 10%	*MSCP ± 25%	*LUMENS ± 25%	AVERAGE LIFE HRS.	FILAMENT TYPE
5.0	.115	.150	1.89	20,000****	C-2R

*LAMP RATING ONLY.
 **LAMP GLASS LEAD (Pb) FREE.
 ***CONTROLLED DURING MANUFACTURING PROCESS ONLY.
 ****DERIVED FROM ACCELERATED TESTING.

CONTACT JKL FOR LEAD (Pb) FREE LOT IDENTIFICATION.

FILTER NUMBER: 39-25-5A
COLOR COORDINATES
x = .2612 ± .025 y = .4199 ± .025

FILTER COLOR
TOYOTA BLUE/WHITE



METRIC	DIMENSIONS ARE IN MILLIMETERS	JKL COMPONENTS CORPORATION			
 THIRD ANGLE PROJECTION	TOLERANCE UNLESS OTHERWISE SPECIFIED	TITLE			
	1 PL +/- 0.2 2 PL +/- 0.20 ANGLE +/- 0	T-1 RUBBER BODY LAMP			
DRAWN BY L. WENGSTROM	APPV'D BY J.K.	DATE 4/5/05	SIZE A	FSCM NO. 55335	DRAWING NO. CSD2-7152FL/39-25-5A
- CAD DRAWING - MANUAL REVISIONS NOT PERMITTED			SCALE NONE	RELEASED DATE 4/5/05	REVISION DATE REV. NO. SHEET 1 OF 1