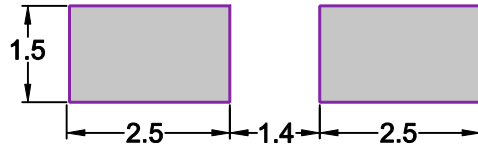
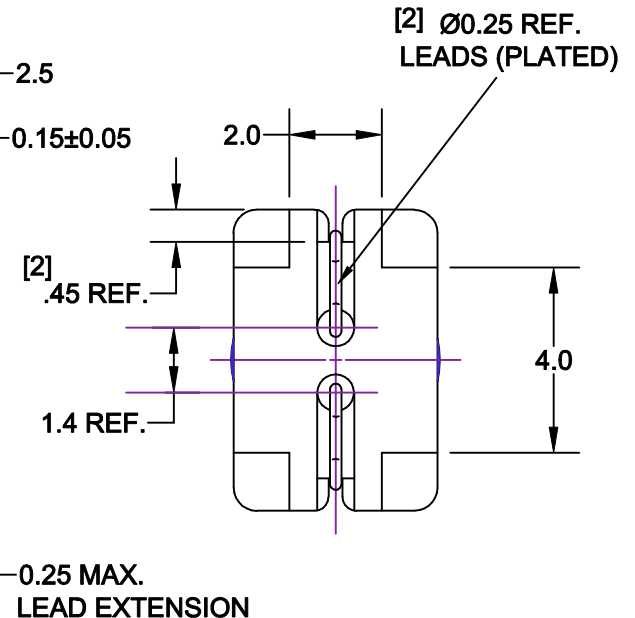
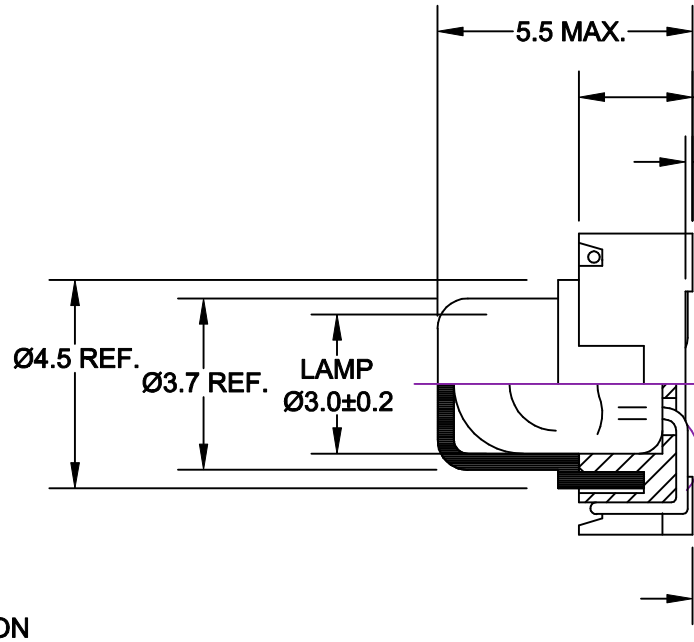
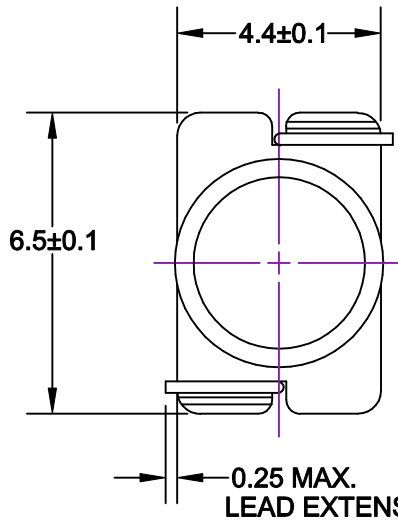
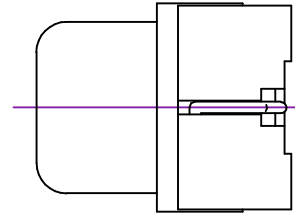


REV.	DESCRIPTION/ECO NO.	DATE
	RELEASED - was FILTER 39-26-555	11/23/99
A	CHANGE LEAD CUTAWAY PROFILE	11/29/99
B	ADD NOTE & DIM CHNGS.	1/25/00
C	DELETE NOTE	11/28/00



RECOMMENDED DIMENSIONS
FOR PC-BOARD PAD



LAMP NUMBER: 7152					
VOLTS RATED	AMPS ± 10%	*MSCP ± 25%	*LUMENS ± 25%	AVERAGE LIFE HRS.	FILAMENT TYPE
5.0	.115	.150	1.89	20,000**	C-2R

*LAMP RATING ONLY WITHOUT BASE AND FILTER

FILTER NUMBER: 39-26-5B	
COLOR REF.	COORDINATES
BLUE OLDS	x = 0.2229 ± .025 y = 0.3412 ± .025

**DERIVED FROM ACCELERATED TESTING.

JKL PART NUMBER: CSD4-7152/39-26-5B

METRIC		DIMENSIONS ARE IN MILLIMETERS		JKL COMPONENTS CORPORATION			
THIRD ANGLE PROJECTION		TOLERANCE UNLESS OTHERWISE SPECIFIED		TITLE T-1 SURFACE MOUNT LAMP WITH BASE AND FILTER (LOW PROFILE)			
		1 PL +/- 0.2		SIZE A	FSCM NO. 55335	DRAWING NO. CSD4-7152/39-26-5B	REV. C
		2 PL +/- 0.20		- CAD DRAWING -		RELEASED DATE 11/29/99	REVISION DATE 11/28/00
		ANGLE +/- 0		MANUAL REVISIONS NOT PERMITTED		SCALE NONE	SHEET 1 OF 1