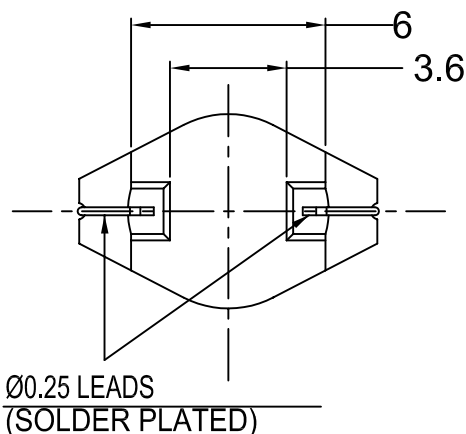
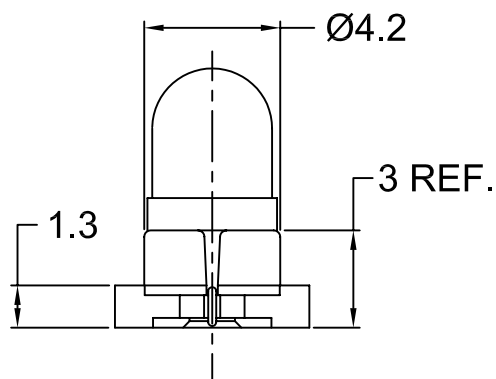
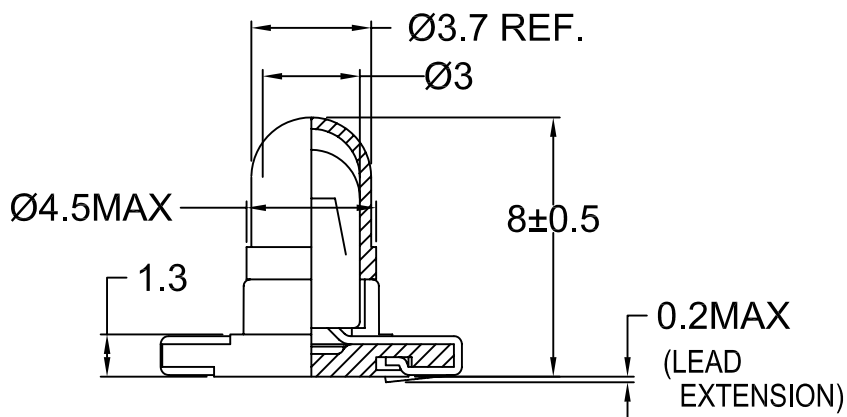


P.C.B. t=1.6
DIMENSIONS FOR COPPER AREA
(REFERENCE)

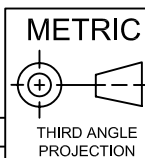


JKL LAMP NUMBER	VOLTS RATED	AMPS ±10%	*MSCP ±25%	*LUMENS ±25%	AVERAGE LIFE HRS.	FILAMENT TYPE
CW1345***	13.0	.045	.150	1.89	**5,000 D.C.	C-2F

* LAMP ONLY RATING.
** DERIVED FROM ACCELERATED TESTING.
*** LAMP GLASS LEAD (Pb) FREE.

CONTACT JKL FOR LEAD (Pb) FREE LOT IDENTIFICATION.

JKL PART NUMBER	COLOR COORDINATES				COLOR (REF.)
	x ± .02	y ± .02	u' ± .02	v' ± .02	
CTB1-CW1345/39-56-1A	0.6884	0.3056	0.5205	0.5199	RED



DIMENSIONS ARE IN MILLIMETERS
TOLERANCE UNLESS OTHERWISE SPECIFIED
1 PL +/- 0.2
2 PL +/- 0.20
ANGLE +/-

JKL COMPONENTS CORPORATION

TITLE
T-1 THRU-BOARD LAMP WITH FILTER
DRAWN BY L. WENGSTROM APPVD BY J.K. DATE 2/17/05
SIZE **A** FSCM NO. **55335** DRAWING NO. **CTB1-CW1345/39-56-1A**

REV. NO.	DESCRIPTION/ECO NUMBER	APPVD DATE
B	CHANGE TO (Pb) FREE GLASS	2/17/05
A	ADD COLOR COORDINATES	6/1/04
	RELEASED	5/14/02

- CAD DRAWING -
MANUAL REVISIONS NOT PERMITTED

SCALE NONE
RELEASED DATE 5/14/02
REVISION DATE 2/17/05
REV. NO. **B** SHEET 1 OF 1