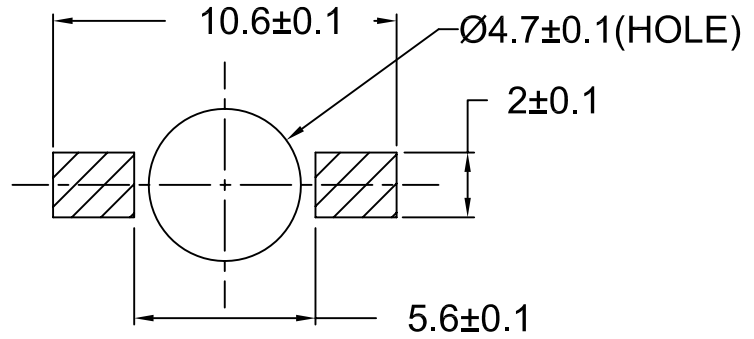
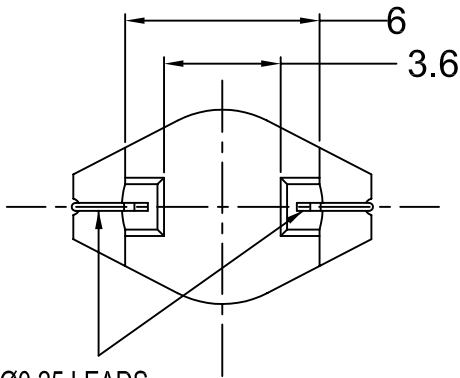
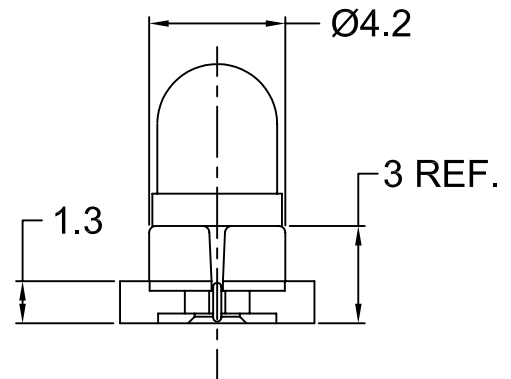
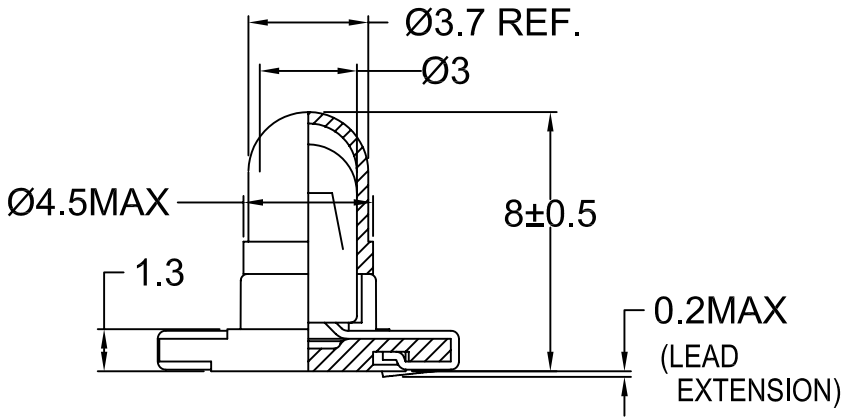


(INCLUDING WIRE)



P.C.B. t=1.6  
DIMENSIONS FOR COPPER AREA  
(REFERENCE)



Ø0.25 LEADS  
(SOLDER PLATED)

JKL LAMP NUMBER	VOLTS RATED	AMPS ±10%	*MSCP ±25%	*LUMENS ±25%	AVERAGE LIFE HRS.	FILAMENT TYPE
CW1345***	13.0	.045	.150	1.89	**5,000 D.C.	C-2F

\*LAMP ONLY RATING.  
\*\*DERIVED FROM ACCELERATED TESTING.  
\*\*\*LAMP GLASS LEAD (Pb) FREE.

CONTACT JKL FOR LEAD (Pb) FREE LOT IDENTIFICATION.

JKL PART NUMBER	COLOR COORDINATES				COLOR (REF.)
	x ± .02	y ± .02	u' ± .02	v' ± .02	
CTB1-CW1345/39-56-5D	0.2535	0.4625	0.1261	0.5175	BLUE/GREEN

**METRIC**  
DIMENSIONS ARE IN MILLIMETERS  
TOLERANCE UNLESS OTHERWISE SPECIFIED  
1 PL +/- 0.2  
2 PL +/- 0.20  
ANGLE +/-

THIRD ANGLE PROJECTION

**JKL** COMPONENTS CORPORATION

TITLE  
T-1 THRU-BOARD LAMP WITH FILTER

DRAWN BY: L. WENGSTROM  
APPVD BY: J.K.  
DATE: 2/17/05

SIZE: **A**  
FSCM NO.: **55335**  
DRAWING NO.: **CTB1-CW1345/39-56-5D**

REV. NO.	DESCRIPTION/ECO NUMBER	APPVD DATE
A	CHANGE TO (Pb) FREE GLASS RELEASED	2/17/05 4/9/04

- CAD DRAWING - MANUAL REVISIONS NOT PERMITTED		SCALE: NONE	RELEASED DATE: 4/9/04	REVISION DATE: 2/17/05	REV. NO.: A	SHEET 1 OF 1
---	--	-------------	-----------------------	------------------------	-------------	--------------