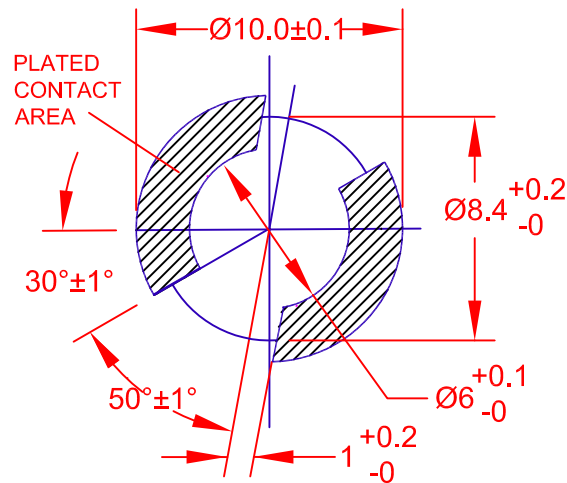
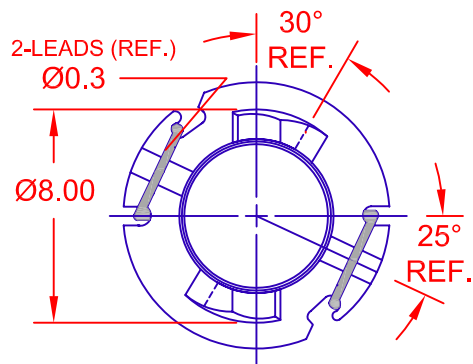
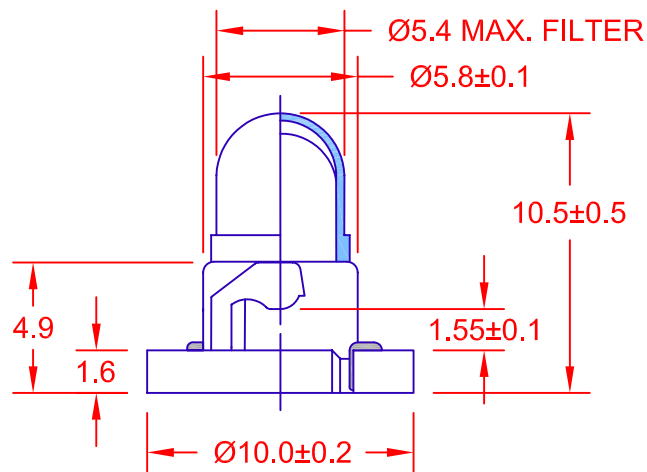


REV.	DESCRIPTION/ECO NO.	DATE
	ENGR. RELEASE TO CAD	7/18/06



PC BOARD PUNCH PATTERN  
(NO TREATMENT, SUCH AS APPLICATION OF FLUX, SHALL BE DONE.)



JKL PART NUMBER: DNW1-DW07/WHI11MM/39226B

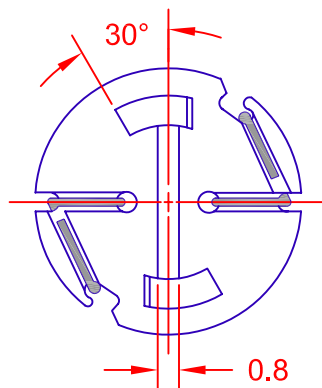
LAMP NUMBER: DW07/9MM

VOLTS RATED	AMPS ± 10%	*MSCP ± 25%	*LUMENS ± 25%	AVERAGE LIFE HRS.	FILAMENT TYPE
14.0	.080	.300	3.77	15,000	C-2V

\* LAMP RATING ONLY WITHOUT BASE AND FILTER.

FILTER NUMBER: 39-22-6B

BASE NUMBER: DNW1/WHI/5MM  
BASE COLOR: WHITE



<b>METRIC</b>  THIRD ANGLE PROJECTION	DIMENSIONS ARE IN MILLIMETERS TOLERANCE UNLESS OTHERWISE SPECIFIED 1 PL +/- 0.2 2 PL +/- 0.20 ANGLE +/- 0	<b>JKL COMPONENTS CORPORATION</b>			
	DRAWN BY L. WENGSTROM	APP'VD BY J.K.	DATE 7/18/06	SIZE <b>A</b>	FSCM NO. <b>55335</b>
- CAD DRAWING - MANUAL REVISIONS NOT PERMITTED			SCALE NONE	RELEASED DATE 7/18/06	REVISION DATE 
				REV. NO.	SHEET 1 OF 1