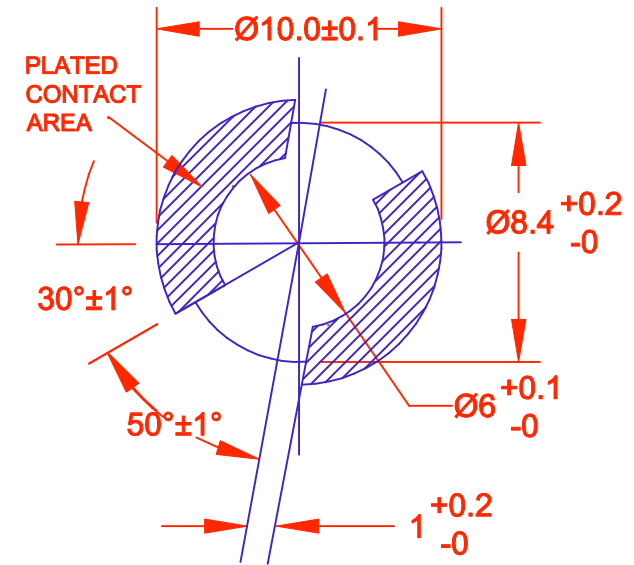
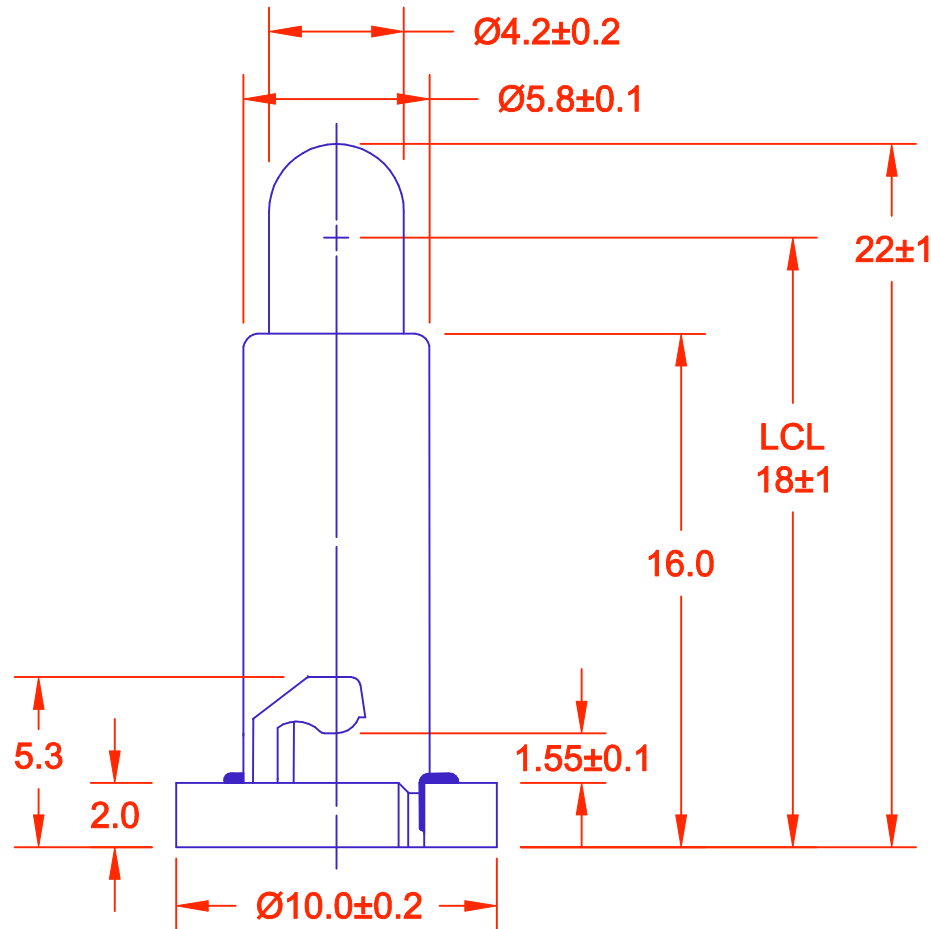
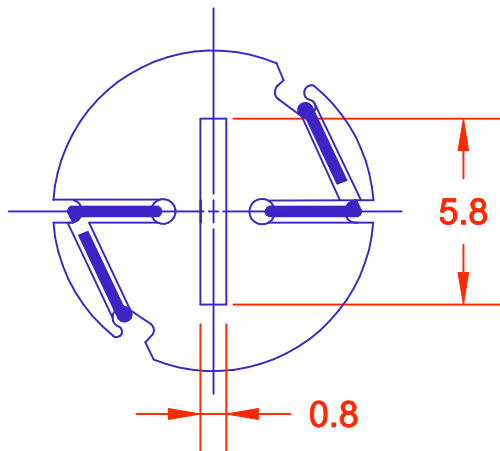


REV.	DESCRIPTION/ECO NO.	DATE
	RELEASED	1/15/02



PC BOARD PUNCH PATTERN



JKL PART NUMBER: DNW1-DW10/GRA/22MM  
 JKL LAMP NUMBER: DW10  
 VOLTS RATED: 14.0  
 AMPS +/- 10%: .100  
 \*MSCP +/- 25%: .500  
 \*LUMENS +/- 25%: 6.29  
 AVG. LIFE HOURS: 10,000 AC  
 FILAMENT TYPE: C-2F  
 \*LAMP RATED ONLY WITHOUT BASE  
 BASE COLOR: GRAY

 THIRD ANGLE PROJECTION	METRIC DIMENSIONS ARE IN MILLIMETERS	<b>JKL COMPONENTS CORPORATION</b>					
	TOLERANCE UNLESS OTHERWISE SPECIFIED 1 PL +/- 0.2 2 PL +/- ANGLE +/- 0					TITLE <b>22MM GRAY NEO-WEDGE BASE          WITH T-1 1/4 DW10 LAMP</b>	
DRAWN BY L. WENGSTROM	APPVD BY ENG. D.	DATE 1/15/02	SIZE <b>A</b>	FSCM NO. <b>55335</b>	DRAWING NO.	DNW1-DW10/GRA/22MM	REV.
- CAD DRAWING - MANUAL REVISIONS NOT PERMITTED			SCALE NONE	RELEASED DATE	1/15/02	REVISION DATE	SHEET 1 OF 1