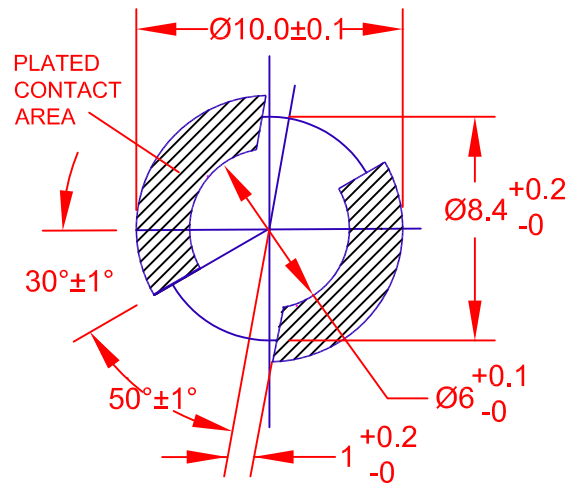
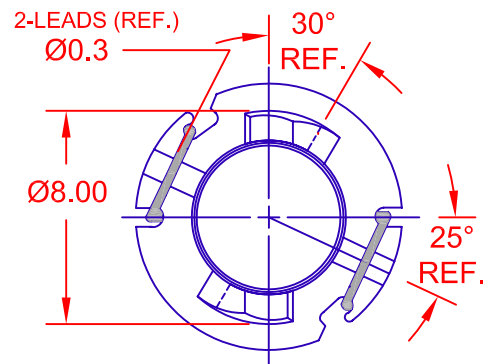
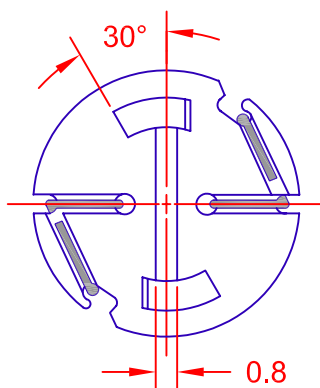
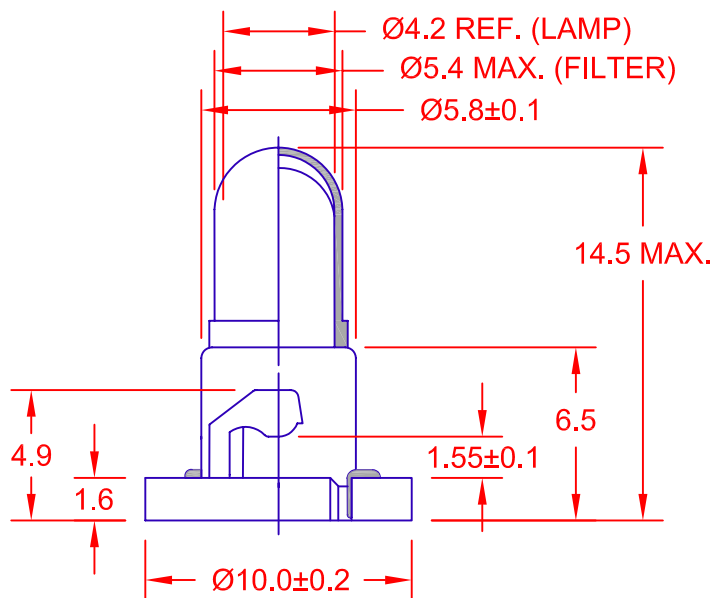


| REV. | DESCRIPTION/ECO NO. | DATE |
|------|--------------------------------|----------|
| | RELEASE | 10/22/07 |
| A | CHANGE FILTER y COORDINATE | 11/30/07 |
| B | CHANGE FILTER x & y COORDINATE | 12/20/07 |
| | | |
| | | |



PC BOARD PUNCH PATTERN
(NO TREATMENT, SUCH AS APPLICATION OF FLUX, SHALL BE DONE.)



JKL PART NUMBER: DNW1-DW33/GRA/39-04-5T

| LAMP NUMBER: DW33 | | | | | |
|-------------------|------------|-------------|---------------|-------------------|---------------|
| VOLTS RATED | AMPS ± 10% | *MSCP ± 25% | *LUMENS ± 25% | AVERAGE LIFE HRS. | FILAMENT TYPE |
| 14.0 | .125 | .700 | 9.00 | 5,000 | C-2F |

* LAMP RATING ONLY WITHOUT BASE AND FILTER.

| |
|--------------------------------|
| FILTER NUMBER: 39-04-5T |
| COLOR COORDINATES (SPHERE): |
| x = .208 ± .025 |
| y = .440 ± .025 |

BASE COLOR: GRAY

| | | | | | |
|---|---|-----------------------------------|---------------|------------------------|------------------------------------|
| METRIC THIRD ANGLE PROJECTION | DIMENSIONS ARE IN MILLIMETERS TOLERANCE UNLESS OTHERWISE SPECIFIED 1 PL +/- 0.3 2 PL +/- 0.30 ANGLE +/- 0 | JKL COMPONENTS CORPORATION | | | |
| | TITLE T-1 1/4 NEO-WEDGE BASE WITH DW33 LAMP AND 39-04 FILTER | | | | |
| DRAWN BY L. WENGSTROM | APP'VD BY L.R. | DATE 12/20/07 | SIZE A | FSCM NO. 55335 | DRAWING NO. DNW1-DW33/GRA/39-04-5T |
| - CAD DRAWING - MANUAL REVISIONS NOT PERMITTED | | | SCALE NONE | RELEASED DATE 10/22/07 | REVISION DATE 12/20/07 |
| | | | | REV. NO. B | SHEET 1 OF 1 |