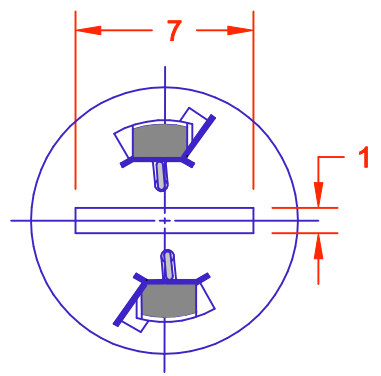
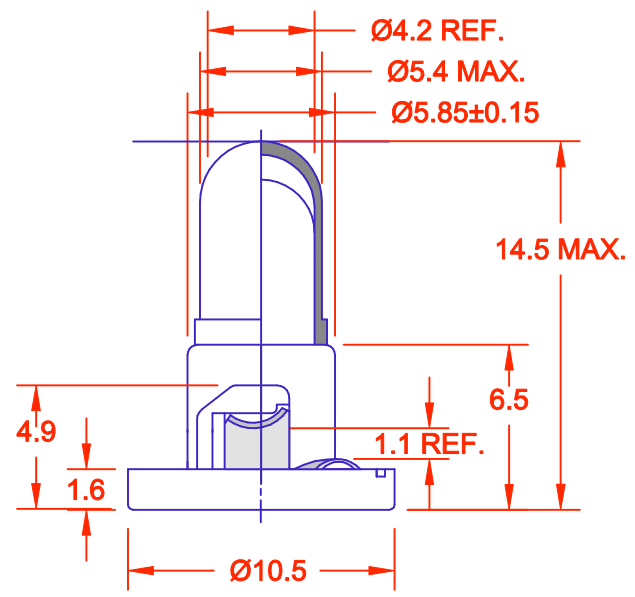
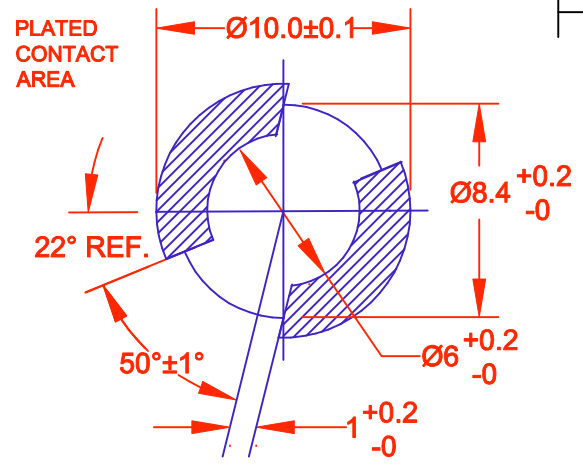
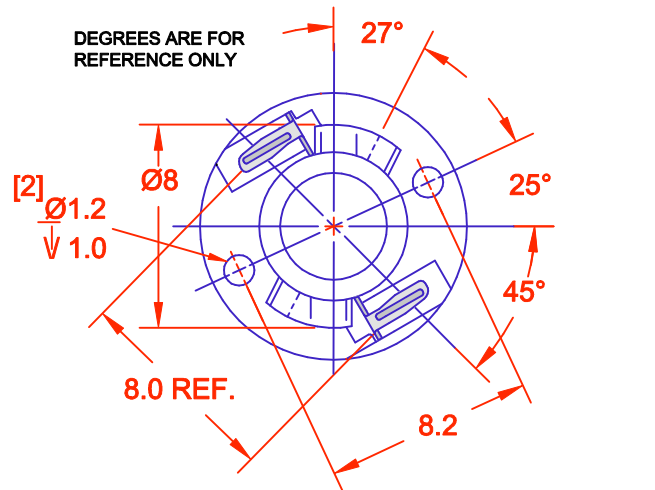


REV.	DESCRIPTION/ECO NO.	DATE
	RELEASED CONVERTED TO CAD	10/16/00



JKL PART NUMBER: DNW21-DW10/BLA/39-04-5M

LAMP NUMBER: DW10					
VOLTS RATED	AMPS ± 10%	*MSCP ± 25%	*LUMENS ± 25%	AVERAGE LIFE HRS.	FILAMENT TYPE
14.0	.100	.500	6.29	10,000	C-2F

*LAMP RATING ONLY WITHOUT BASE AND FILTER

FILTER NUMBER: 39-04-5M	
COLOR COORDINATES @ 13.5V	
u' = .124 ± .02	v' = .499 ± .02

BASE COLOR
BLACK

<p>METRIC THIRD ANGLE PROJECTION</p>	<p>DIMENSIONS ARE IN MILLIMETERS TOLERANCE UNLESS OTHERWISE SPECIFIED 1 PL +/- 0.2 2 PL +/- 0.20 ANGLE +/- 0</p>	<h1>JKL COMPONENTS CORPORATION</h1>			
		<p>TITLE T-1 1/4 DOUBLE CONTACT NEO-WEDGE BASE WITH LAMP AND 39-04 FILTER</p>			
<p>DRAWN BY L. WENGSTROM</p>	<p>APPVD BY LW</p>	<p>DATE 10/16/00</p>	<p>SIZE A</p>	<p>FSCM NO. 55335</p>	<p>DRAWING NO. DNW21-DW10/BLA/39-04-5M</p>
<p>- CAD DRAWING - MANUAL REVISIONS NOT PERMITTED</p>			<p>SCALE NONE</p>	<p>RELEASED DATE 10/16/00</p>	<p>REVISION DATE</p>
				<p>REV. NO.</p>	<p>SHEET 1 OF 1</p>