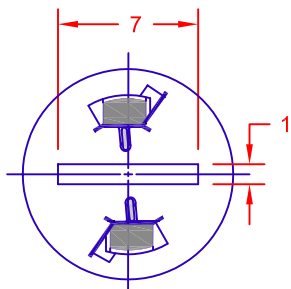
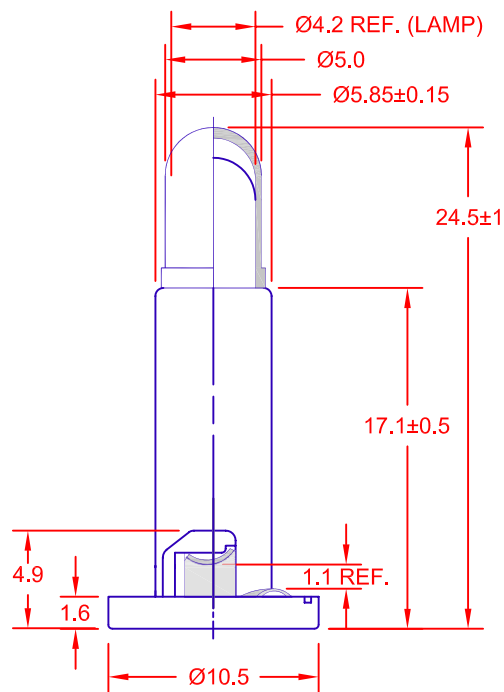
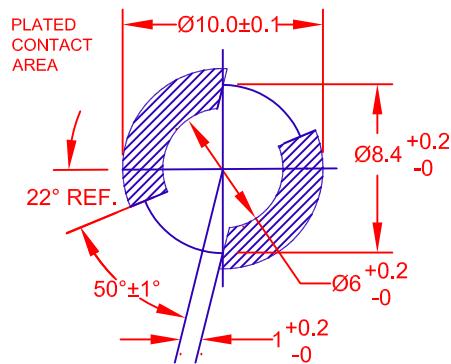
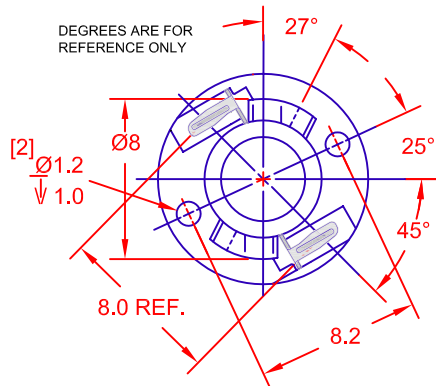


REV.	DESCRIPTION/ECO NO.	DATE
	RELEASED CONVERTED TO CAD	10/16/00
A	CHANGE TO (Pb) FREE ASSEMBLY	2/18/05



JKL PART NUMBER: DNW21-DW10/GRA24.5/39044F***

LAMP NUMBER: DW10**					
VOLTS RATED	AMPS ± 10%	*MSCP ± 25%	*LUMENS ± 25%	AVERAGE LIFE HRS.	FILAMENT TYPE
14.0	.100	.500	6.29	10,000 AC	C-2F

*LAMP RATING ONLY WITHOUT BASE AND FILTER.
 ** LAMP GLASS LEAD (Pb) FREE.
 *** LAMP AND BASE ASSEMBLY LEAD (Pb) FREE.

CONTACT JKL FOR LEAD (Pb) FREE LOT IDENTIFICATION.

FILTER NUMBER: 39-04-4F	
COLOR COORDINATES	
x = .3415 ± .025	y = .6441 ± .025

BASE COLOR
GRAY

METRIC		DIMENSIONS ARE IN MILLIMETERS		JKL COMPONENTS CORPORATION			
 THIRD ANGLE PROJECTION	TOLERANCE UNLESS OTHERWISE SPECIFIED		TITLE T-1 1/4 DOUBLE CONTACT NEO-WEDGE BASE WITH LAMP AND 39-04 FILTER				
	1 PL +/- 0.2 2 PL +/- 0.20 ANGLE +/- 0						
DRAWN BY L. WENGSTROM	APPV'D BY J.K.	DATE 2/18/05	SIZE A	FSCM NO. 55335	DRAWING NO. DNW21-DW10/GRA24.5/39044F		
- CAD DRAWING - MANUAL REVISIONS NOT PERMITTED			SCALE NONE	RELEASED DATE 10/16/00	REVISION DATE 2/18/05	REV. NO. A	SHEET 1 OF 1