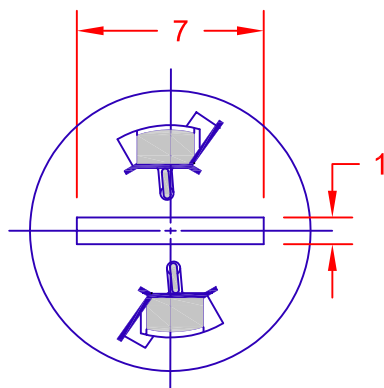
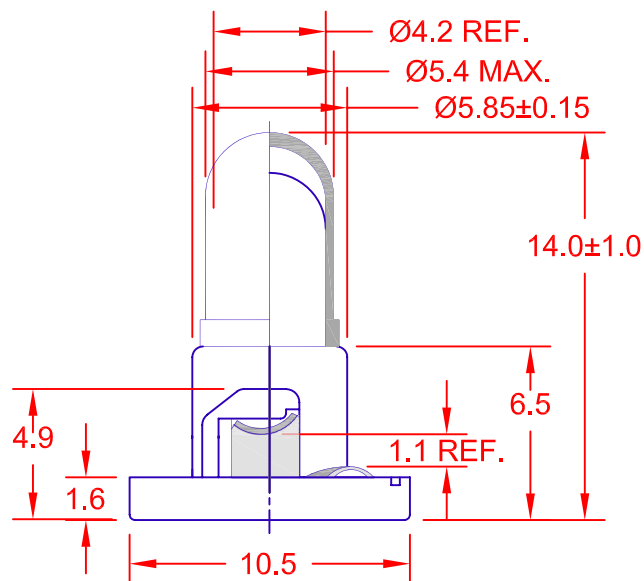
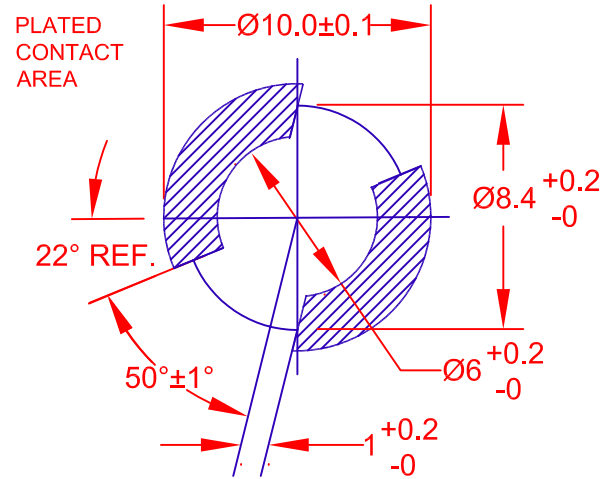
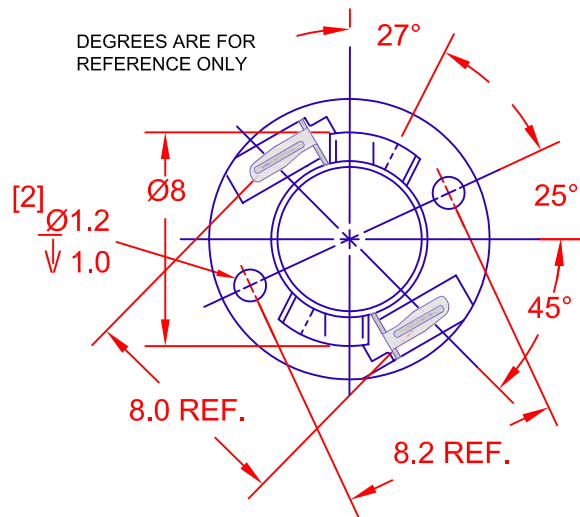


REV.	DESCRIPTION/ECO NO.	DATE
	RELEASED	6/8/05
A	ANGLE TOLERANCE TO REF.	6/10/05



JKL PART NO.: DNW21-DW21/C-2F/GRA/39-04-6P***

LAMP NUMBER: DW21/C-2F**					
VOLTS RATED	AMPS ± 10%	*MSCP ± 25%	*LUMENS ± 25%	AVERAGE LIFE HRS.	FILAMENT TYPE
14.0	0.06	.200	2.5	5,000 DC	C-2F

* LAMP RATING ONLY WITHOUT BASE AND FILTER.
 ** LAMP GLASS LEAD (Pb) FREE.
 *** LAMP AND ASSEMBLY LEAD (Pb) FREE.

FILTER NUMBER: 39-04-6P
COLOR COORDINATES @ 14.0V
x = 0.357 REF. y = 0.405 REF.

BASE COLOR
GRAY

<p>METRIC THIRD ANGLE PROJECTION</p>	DIMENSIONS ARE IN MILLIMETERS TOLERANCE UNLESS OTHERWISE SPECIFIED 1 PL +/- 0.2 2 PL +/- 0.20 ANGLE +/- REF.	<h1>JKL COMPONENTS CORPORATION</h1>			
	TITLE T-1 1/4 DOUBLE CONTACT NEO-WEDGE BASE WITH LAMP AND 39-04 FILTER				
DRAWN BY L. WENGSTROM	APP'VD BY J.K.	DATE 6/10/05	SIZE A	FSCM NO. 55335	DRAWING NO. DNW21-DW21/C-2F/GRA/39-04-6P
- CAD DRAWING - MANUAL REVISIONS NOT PERMITTED			SCALE NONE	RELEASED DATE 6/8/05	REVISION DATE 6/10/05
				REV. NO. A	SHEET 1 OF 1