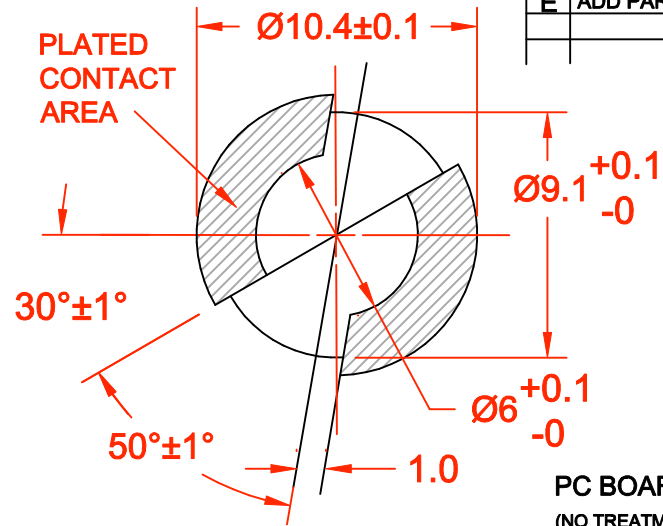
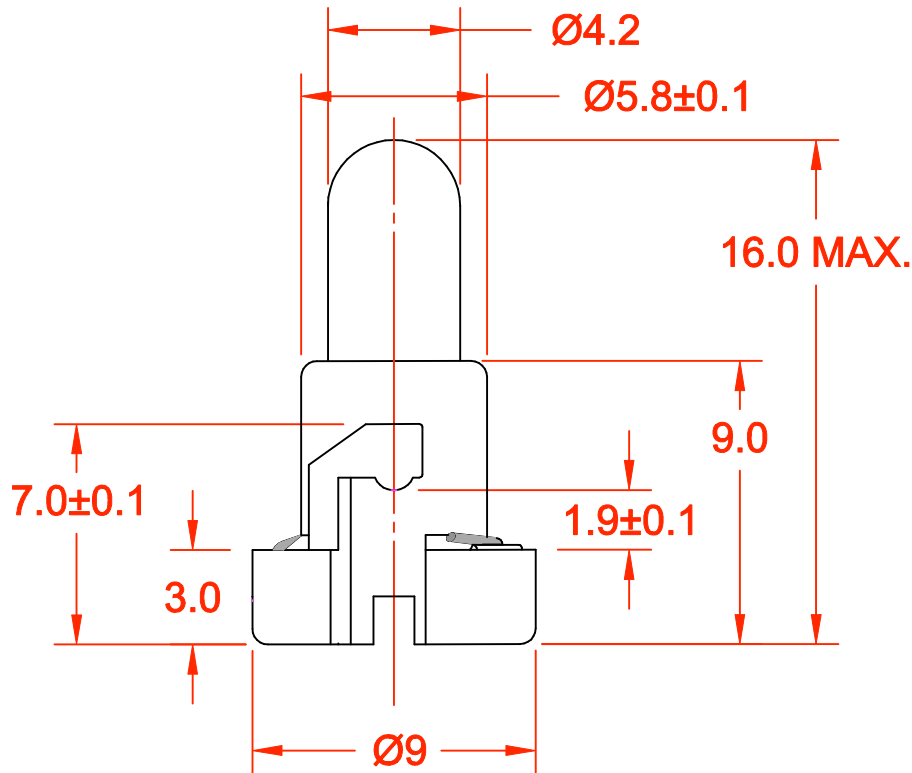
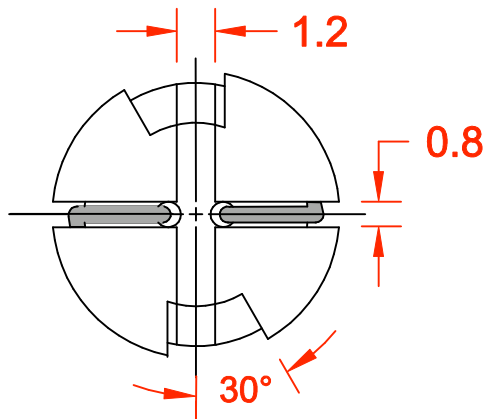


REV.	DESCRIPTION/ECO NO.	DATE
	RELEASED	8/83
A	5.9-0.2 TO 5.8+/-0.1	9/84
B	16.0 TO 16.0 MAX.	1/85
C	0.8 TO 1.2	7/93
D	DRAW. CONVERTED TO CAD	01/01/00
E	ADD PART DNW2-DW48	03/30/00



PC BOARD PUNCH PATTERN
(NO TREATMENT SUCH AS APPLICATION OF FLUX, SHALL BE DONE.)



JKL LAMP NUMBER	VOLTS RATED	AMPS $\pm 10\%$	*MSCP $\pm 25\%$	*LUMENS $\pm 25\%$	AVERAGE LIFE HRS.	FILAMENT TYPE
DNW2-DW27	5.0	.040	.028	0.35	20,000	C-2R
DNW2-583	5.0	.060	.050	0.63	100,000	C-2R
DNW2-515	5.0	.115	.150	1.89	40,000	C-2R
DNW2-634	6.0	.200	.630	7.92	1,000	C-2R
DNW2-DW50	8.0	.050	.095	1.19	10,000	C-2V
DNW2-DW26	10.0	.040	.080	1.01	30,000	C-2F
DNW2-DW44	12.0	.040	.090	1.13	10,000	C-2V
DNW2-DW46	12.0	.060	.160	2.01	10,000	C-2V
DNW2-DW48	14.0	.040	.150	1.89	10,000	C-2V
DNW2-DW07	14.0	.080	.300	3.77	15,000	C-2V
DNW2-DW10	14.0	.100	.500	6.29	10,000	C-2F
DNW2-DW40	18.0	.040	.150	1.89	10,000	C-2F
DNW2-8627	28.0	.040	.340	4.27	2,800	C-2F

*LAMP RATED ONLY WITHOUT BASE.

METRIC		DIMENSIONS ARE IN MILLIMETERS		JKL COMPONENTS CORPORATION			
THIRD ANGLE PROJECTION		TOLERANCE UNLESS OTHERWISE SPECIFIED 1 PL +/- 0.2 2 PL +/- 0.20 ANGLE +/- 0		TITLE T-1 1/4 NEO-WEDGE BASE WITH MULTIPLE LAMP LISTING			
DRAWN BY L. WENGSTROM	APPV'D BY BW	DATE 03/30/00	SIZE A	FSCM NO. 55335	DRAWING NO. DNW2-MULTI		
- CAD DRAWING - MANUAL REVISIONS NOT PERMITTED			SCALE NONE	RELEASED DATE 8/83	REVISION DATE 03/30/00	REV. NO. E	SHEET 1 OF 1