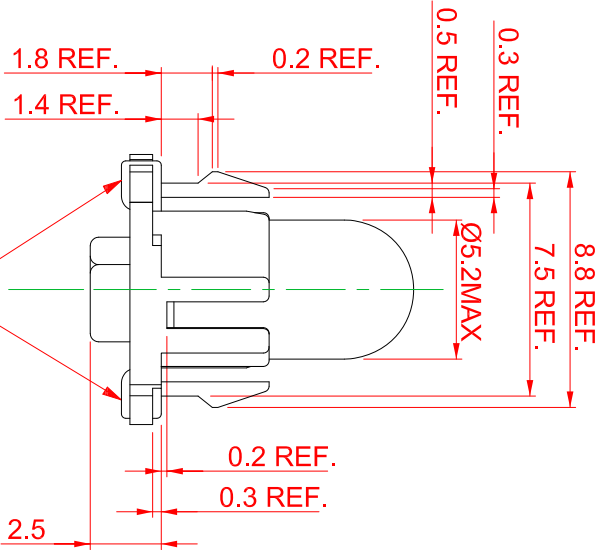
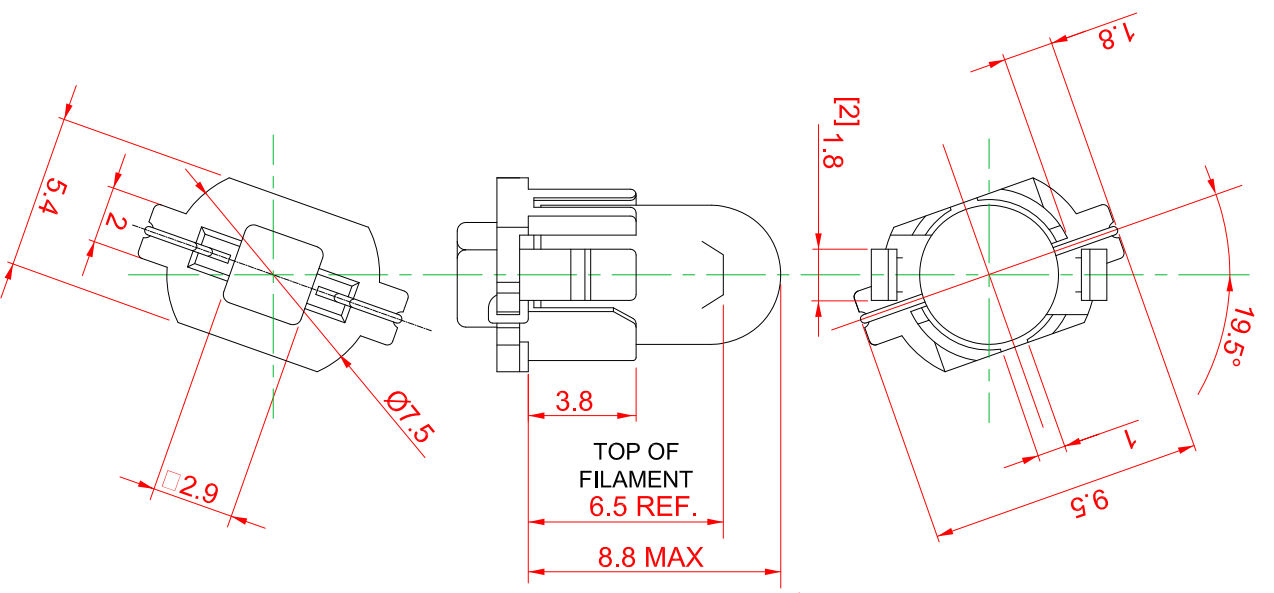
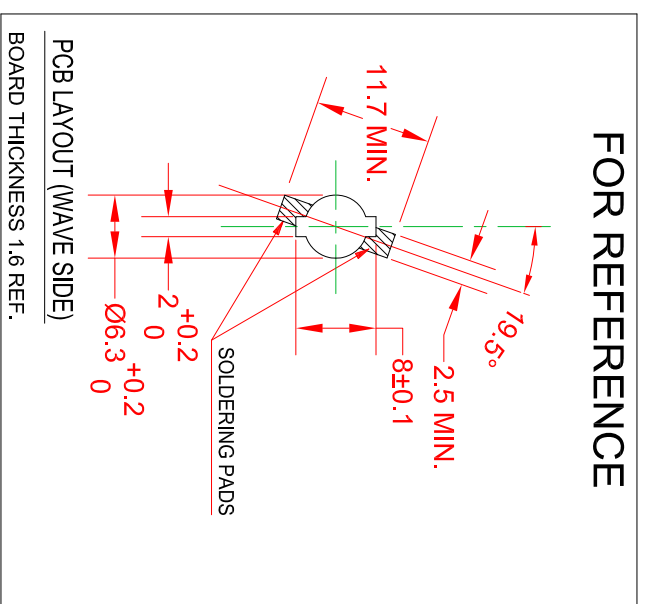


REV.	DESCRIPTION/ECO NO.	DATE
	RELEASE	6/24/13



$\varnothing 0.3 \pm 0.05$  LEADS  
SOLDER-PLATING



FOR REFERENCE

LAMP TYPE	VOLTS RATED	AMPS ± 10%	*MSCP ± 25%	*LUMENS ± 25%	AVERAGE LIFE HRS.	FILAMENT TYPE	BASE COLOR
DW10	14.0	.100	.500	6.29	10,000	C-2F	BLACK

\* LAMP RATING ONLY WITHOUT BASE AND FILTER

JKL PART NO.: DPS-DW10/BLA/39-04-5U

FILTER NUMBER	*COLOR X	*COLOR Y
39-04-5U	0.36	0.41

\* COLOR AT 12.5 VOLTS.

		<b>METRIC</b> DIMENSIONS ARE IN MILLIMETERS TOLERANCE UNLESS OTHERWISE SPECIFIED 1 PL +/- 0.2 2 PL +/- 0.20 ANGLE +/- 0	
<b>JKL COMPONENTS CORPORATION</b> TITLE T-1 1/4 PUSH LOCK LAMP WITH FILTER	DRAWN BY L. WENGSTROM	APP'D BY L.R.	DATE 6/24/13
SIZE A	FSCM NO. 55335	DRAWING NO. DPS-DW10/BLA/39-04-5U	SCALE NONE
- CAD DRAWING - MANUAL REVISIONS NOT PERMITTED	RELEASED DATE 6/24/13	REVISION DATE	REV. NO. 1 OF 1