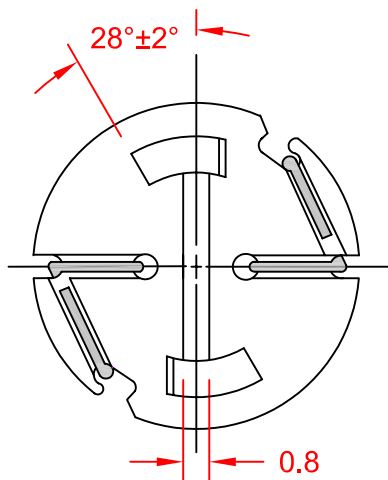
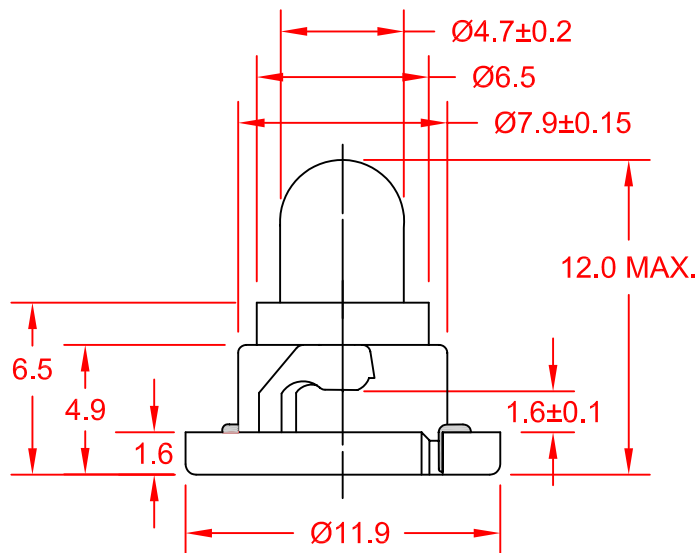


PC BOARD PUNCH PATTERN
(NO TREATMENT SUCH AS APPLICATION OF FLUX, SHALL BE DONE.)

REV.	DESCRIPTION/ECO NO.	DATE
	ENGR. RELEASED TO CAD	7/25/06



JKL PART NUMBER: ENW1-EW43/GRA/12MM

JKL LAMP NUMBER	VOLTS RATED	AMPS ±10%	*MSCP ±25%	*LUMENS ±25%	AVERAGE LIFE HRS.	FILAMENT TYPE
EW43	14.0	.125	.700	9.00	5,000 D.C.	C-2F

*LAMP RATED ONLY (NOT IN BASE)

BASE COLOR: GRAY

<p>METRIC THIRD ANGLE PROJECTION</p>	DIMENSIONS ARE IN MILLIMETERS TOLERANCE UNLESS OTHERWISE SPECIFIED 1 PL +/- 0.2 2 PL +/- 0.20 ANGLE +/- 0		<h1>JKL COMPONENTS CORPORATION</h1>			
	TITLE T-1 1/2 NEO-WEDGE BASE WITH EW43 LAMP					
DRAWN BY L. WENGSTROM	APP'VD BY E.D.	DATE 7/25/06	SIZE A	FSCM NO. 55335	DRAWING NO. ENW1-EW43/GRA/12MM	
- CAD DRAWING - MANUAL REVISIONS NOT PERMITTED			SCALE NONE	RELEASED DATE 7/25/06	REVISION DATE	REV. NO. 1 OF 1