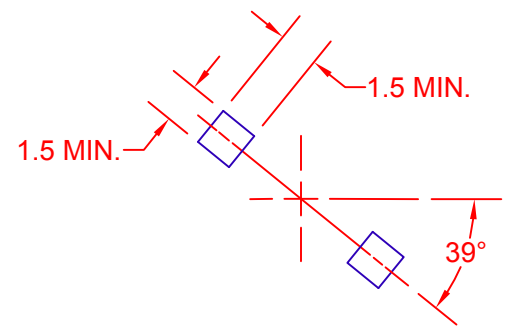
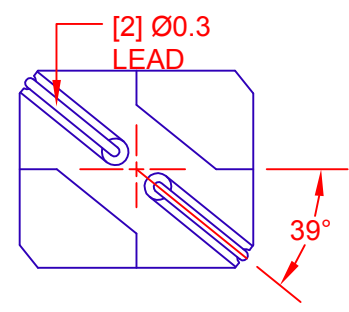
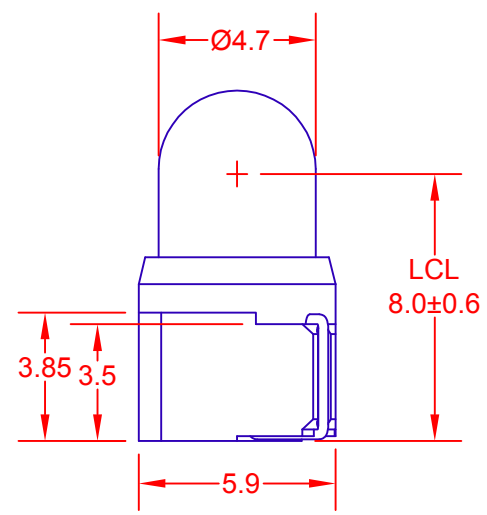
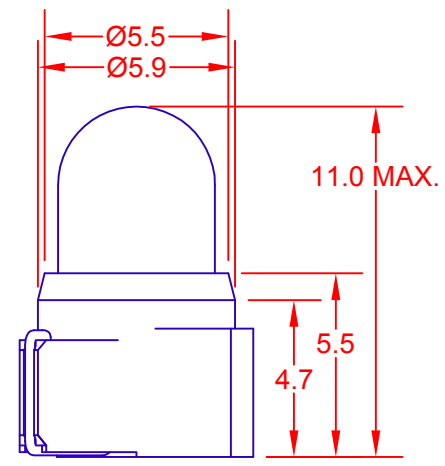
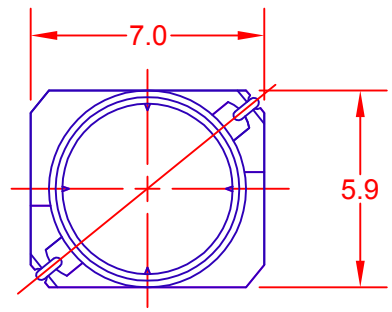
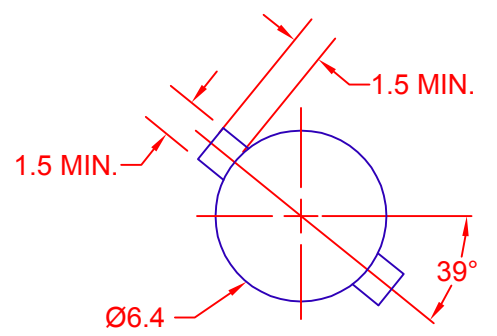


	RELEASE AND CANCEL P-0006-08	4/29/14



RECOMMENDED CIRCUIT BOARD SOLDERING PAD

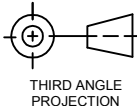


RECOMMENDED SOLDERING PAD FOR THROUGH BOARD LAMP

JKL PART NUMBER: ESM1-EW10/YLW

LAMP NUMBER: EW10						
VOLTS RATED	AMPS ± 10%	*MSCP ± 25%	*LUMENS ± 25%	AVERAGE LIFE HRS.	FILAMENT TYPE	BASE COLOR
14.0	.100	.500	6.29	5,000 DC	C-2V	YELLOW

*LAMP RATING ONLY WITHOUT BASE AND FILTER

METRIC  THIRD ANGLE PROJECTION	DIMENSIONS ARE IN MILLIMETERS		JKL COMPONENTS CORPORATION TITLE T-1 1/2 RECTANGLE SURFACE MOUNT LAMP			
	TOLERANCE UNLESS OTHERWISE SPECIFIED 1 PL +/- 0.2 2 PL +/- 0.20 ANGLE +/- 0					
DRAWN BY L. WENGSTROM	APPV'D BY S.C.	DATE 4/29/14	SIZE A	FSCM NO. 55335	DRAWING NO. ESM1-EW10/YLW	
- CAD DRAWING - MANUAL REVISIONS NOT PERMITTED			SCALE 5X	RELEASED DATE 4/29/14	REVISION DATE	REV. NO. SHEET 1 OF 1