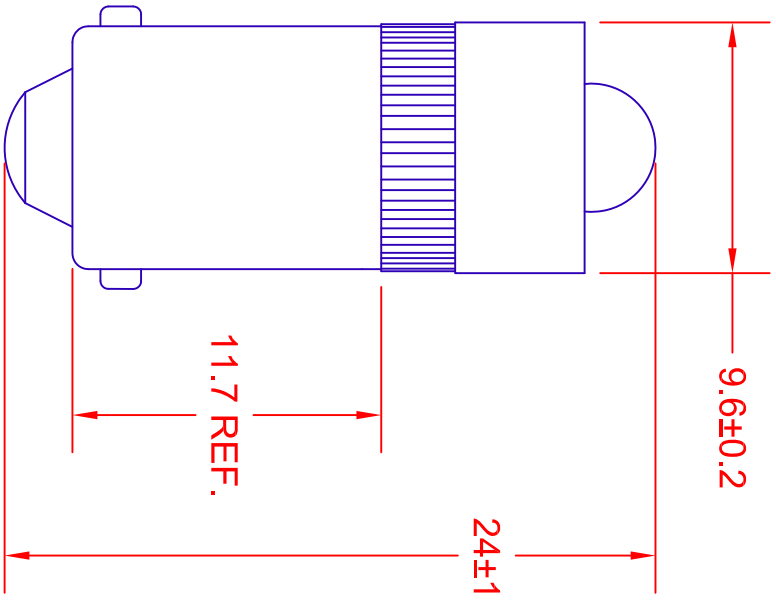


REV.	DESCRIPTION/ECO NO.	DATE
	RELEASED	11/11/11



FEATURES

Non-Polarized
24V AC or DC Operation

ELECTRICAL OPTICAL CHARACTERISTICS

COLOR	AC/DC VOLTS	AMPS (mA)	LUMINOUS INTENSITY (mcd)	50% POWER ANGLE (deg.)
GREEN	24-28	20 (MAX.)	TYP. 1,000	30

JKL PART NO.: LE-BA9S-24G

<p>METRIC</p>		<p>DIMENSIONS ARE IN MILLIMETERS</p>	
<p>THIRD ANGLE PROJECTION</p>		<p>TOLERANCE UNLESS OTHERWISE SPECIFIED</p>	
<p>1 PL +/- 0.2</p>		<p>2 PL +/- 0.20</p>	
<p>ANGLE +/- 0</p>			
<p>DRAWN BY L. WENGSTROM</p>		<p>APPROVED BY L.R.</p>	
<p>DATE 11/11/11</p>		<p>DATE 11/11/11</p>	
<p>SCALE A</p>		<p>SIZE NONE</p>	
<p>FSCM NO. 55335</p>		<p>DRAWING NO. LE-BA9S-24G</p>	
<p>TITLE 24V T-3 1/4 BAYONET BASED LED</p>		<p>RELEASED DATE 11/11/11</p>	
<p>MANUAL REVISIONS NOT PERMITTED</p>		<p>REVISION DATE</p>	
<p>REV. NO. 1</p>		<p>SHEET 1 OF 1</p>	

JKL COMPONENTS CORPORATION