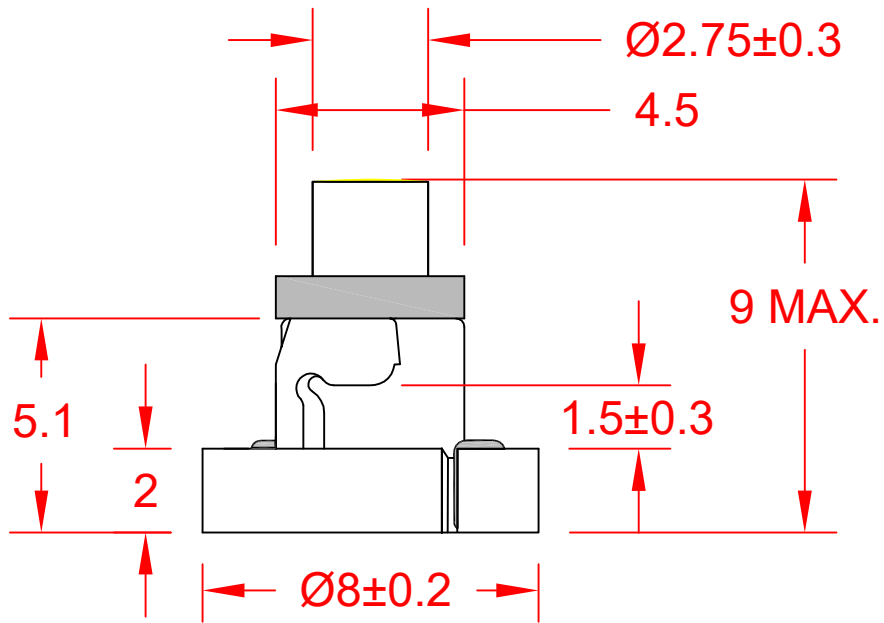
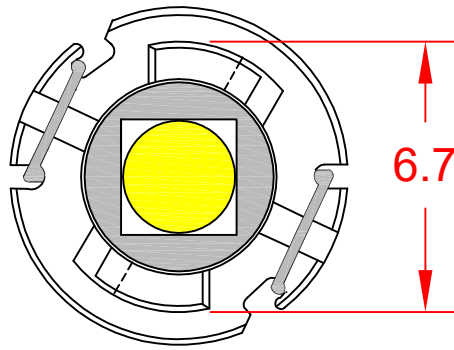


Ø0.3  
2-LEADS (REF.)



JKL PART NO. LE-CNW1-01W

14 VDC  
0.011 AMPS  
3.10 LUMENS

Pb FREE

METRIC	DIMENSIONS ARE IN MILLIMETERS	
	TOLERANCE UNLESS OTHERWISE SPECIFIED	
THIRD ANGLE PROJECTION	1 PL +/- REF.	2 PL +/- REF.
	ANGLE +/-	0

**JKL** COMPONENTS CORPORATION

TITLE  
T-1 NEO-WEDGE BASE WHITE LED

DRAWN BY	APPV'D BY	DATE
L. WENGSTROM	S.C.	6/13/18

SIZE	FSCM NO.
A	55335

DRAWING NO.	LE-CNW1-01W
-------------	-------------

REV. NO.	DESCRIPTION/ECO NUMBER	APPV'D DATE	- CAD DRAWING - MANUAL REVISIONS NOT PERMITTED	SCALE	RELEASED DATE	REVISION DATE	REV. NO.	SHEET
RELEASED		6/13/18		NONE	6/13/18			1 OF 1