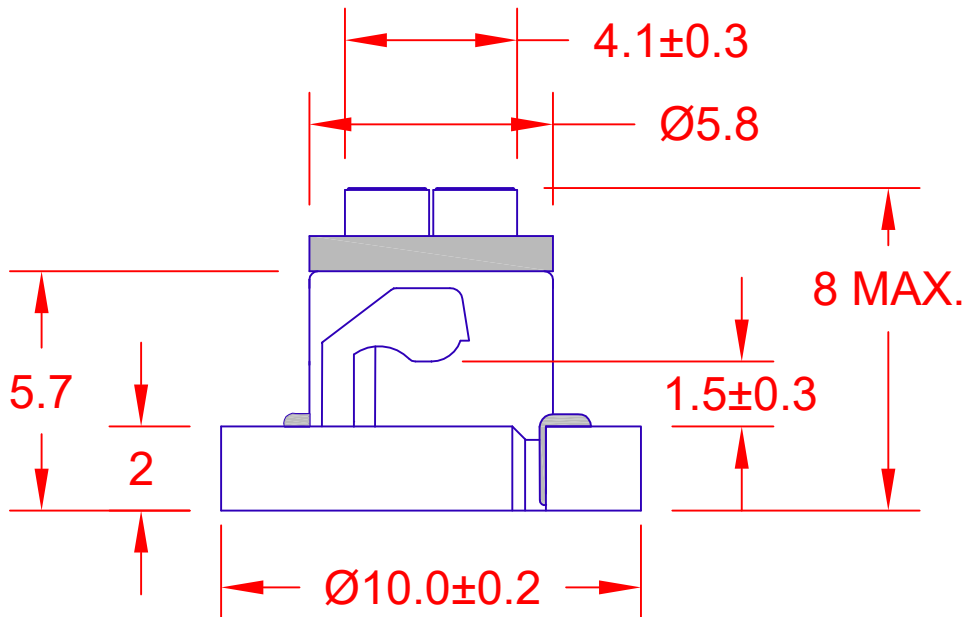


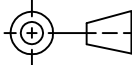
2-LEADS (REF.)
Ø0.3



JKL PART NO. LE-DNW1-01W

14 VDC
0.014 AMPS
8.3 LUMENS

Pb FREE

			METRIC  THIRD ANGLE PROJECTION		DIMENSIONS ARE IN MILLIMETERS TOLERANCE UNLESS OTHERWISE SPECIFIED 1 PL +/- REF. 2 PL +/- REF. ANGLE +/- 0		JKL COMPONENTS CORPORATION TITLE T-1 1/4 NEO-WEDGE BASE WHITE LEDS							
			DRAWN BY L. WENGSTROM	APPV'D BY S.C.	DATE 6/13/18	SIZE A	FSCM NO. 55335	DRAWING NO. LE-DNW1-01W						
RELEASED			6/13/18		- CAD DRAWING - MANUAL REVISIONS NOT PERMITTED					SCALE NONE	RELEASED DATE 6/13/18	REVISION DATE	REV. NO.	SHEET 1 OF 1
REV. NO.	DESCRIPTION/ECO NUMBER	APPV'D DATE												