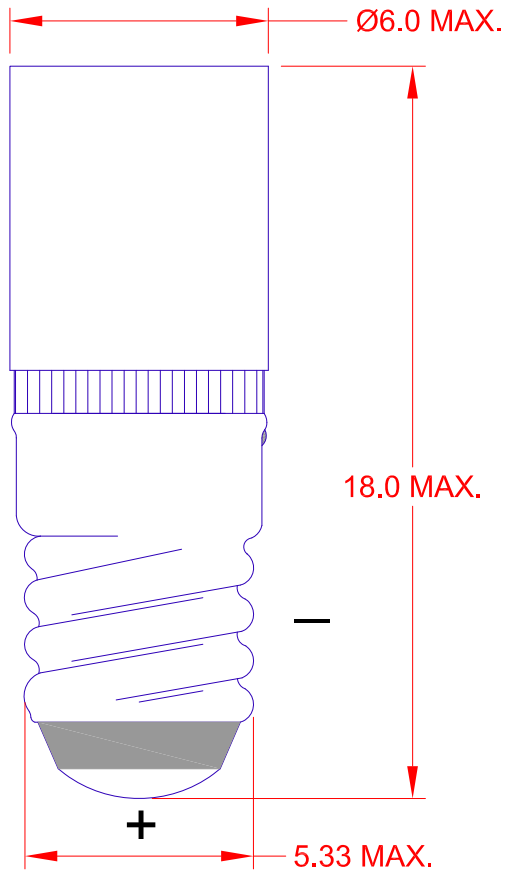


T-1 3/4 MIDGET SCREW BASE LED



| JKL PART NUMBER | EMITTING COLOR | AMPERAGE mA | VOLTAGE Vdc | LUMENS | VIEWING ANGLE |
|-----------------|----------------|-------------|-------------|--------|---------------|
| LE-MS-6W | WHITE | 9.0 | 6 | 3 | 40° |
| LE-MS-12W | WHITE | 30 | 12 | 9 | 40° |
| LE-MS-24W | WHITE | 27 | 24 | 8.3 | 40° |

OPERATING TEMPERATURE RANGE -30°C TO +85°C
 STORAGE TEMPERATURE RANGE -40°C TO +100° C

NOTES:

- LED includes integrated diode for reverse voltage protection.
- LED includes integrated resistor for current limiting.

| | | | | | | | | | | | | | | | | | |
|-----------------|--|-------------------------------|--|--|--|--|--|----------------------------|--|-------------------------------------|--|-------------------------------------|--|---------------------------------------|--|----------------------------|--|
| | | <p>THIRD ANGLE PROJECTION</p> | | <p>METRIC</p> <p>DIMENSIONS ARE IN MILLIMETERS</p> <p>TOLERANCE UNLESS OTHERWISE SPECIFIED</p> <p>1 PL +/- 0.2</p> <p>2 PL +/- 0.20</p> <p>ANGLE +/- 0</p> | | <p>JKL COMPONENTS CORPORATION</p> | | | | | | | | | | | |
| | | | | <p>TITLE</p> <p>T-1 3/4 MIDGET SCREW BASE LED</p> | | | | | | | | | | | | | |
| <p>RELEASED</p> | | <p>6/13/12</p> | | <p>DRAWN BY</p> <p>L. WENGSTROM</p> | | <p>APPVD BY</p> <p>L.R.</p> | | <p>DATE</p> <p>6/13/12</p> | | <p>SIZE</p> <p>A</p> | | <p>FSCM NO.</p> <p>55335</p> | | <p>DRAWING NO.</p> <p>LE-MS MULTI</p> | | | |
| <p>REV. NO.</p> | | <p>DESCRIPTION/ECO NUMBER</p> | | <p>APPVD DATE</p> | | <p>- CAD DRAWING -</p> <p>MANUAL REVISIONS NOT PERMITTED</p> | | <p>SCALE</p> <p>NONE</p> | | <p>RELEASED DATE</p> <p>6/13/12</p> | | <p>REVISION DATE</p> | | <p>REV. NO.</p> | | <p>SHEET</p> <p>1 OF 1</p> | |