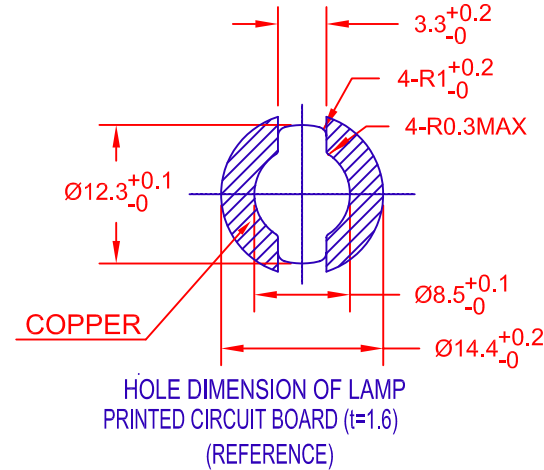
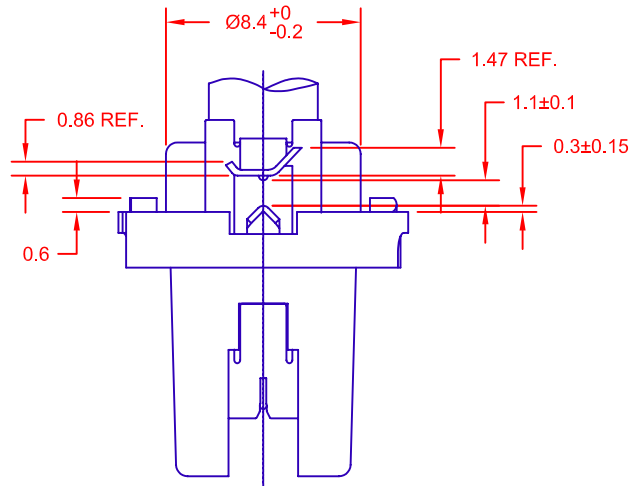
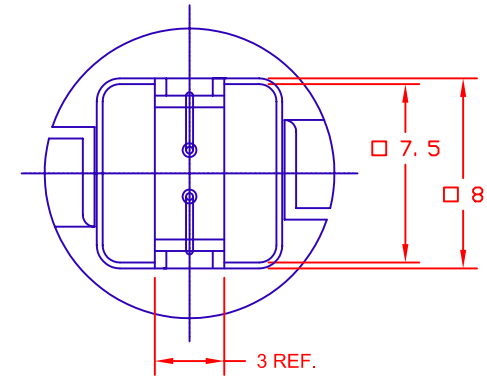
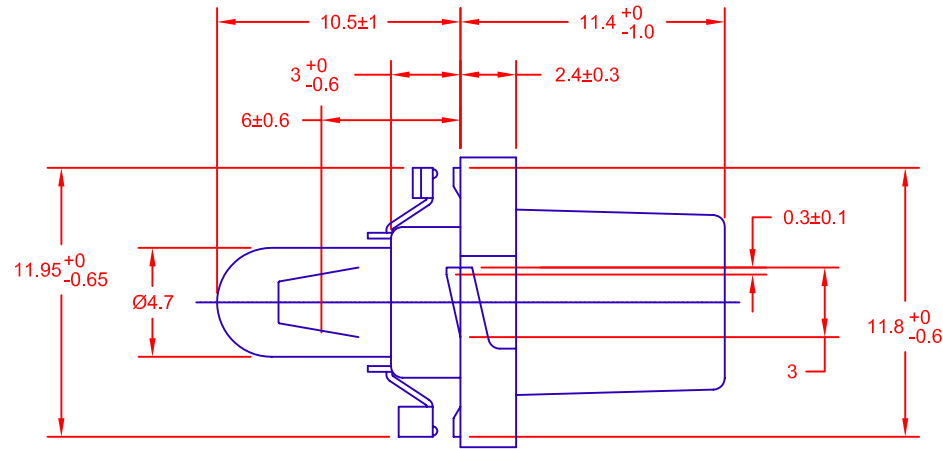
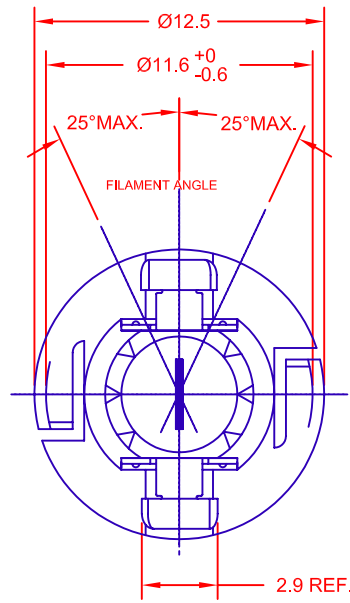


REV.	DESCRIPTION/ECO NO.	DATE
	RELEASED	8/6/00
A	DRAWING CHANGE	10/14/98
B	ADD TOLERANCE	1/22/99
C	DIM CHANGES TO REF.	10/20/00
D	ENGR RELEASE TO CAD DRW.	11/14/06



NOTE: DOWNWARD FORCE TO BE APPLIED WHEN INSERTING INTO P.C. BOARD.

JKL PART NO.: WWT1-EW35/WHI

LAMP NUMBER: EW35						
VOLTS RATED	AMPS ± 10%	WATTS	*MSCP ± 25%	*LUMENS ± 25%	AVERAGE LIFE HRS.	FILAMENT TYPE
14.0	.140	1.96	.640	8.05	5,000 DC	C-2V

*LAMP RATING ONLY WITHOUT BASE

BASE COLOR: WHITE

METRIC		DIMENSIONS ARE IN MILLIMETERS		JKL COMPONENTS CORPORATION			
 THIRD ANGLE PROJECTION		TOLERANCE UNLESS OTHERWISE SPECIFIED 1 PL +/- 0.2 2 PL +/- 0 ANGLE +/- 0		TITLE			
				WELDED WIRE TERMINAL LAMP IN BASE			
DRAWN BY	APP'VD BY	DATE	SIZE	FSCM NO.	DRAWING NO.	REV.	
L. WENGSTROM	J. KAHL	11/14/06	A	55335	WWT1-EW35/WHI	D	
MANUAL REVISIONS NOT PERMITTED			SCALE	RELEASED DATE	REVISION DATE	SHEET	
			NONE	8/6/00	11/14/06	1 OF 1	