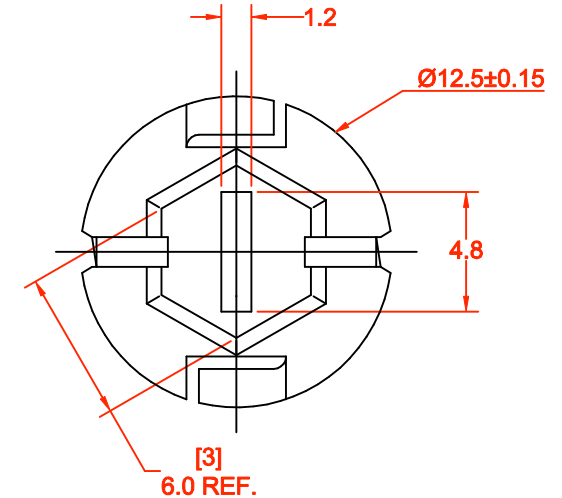
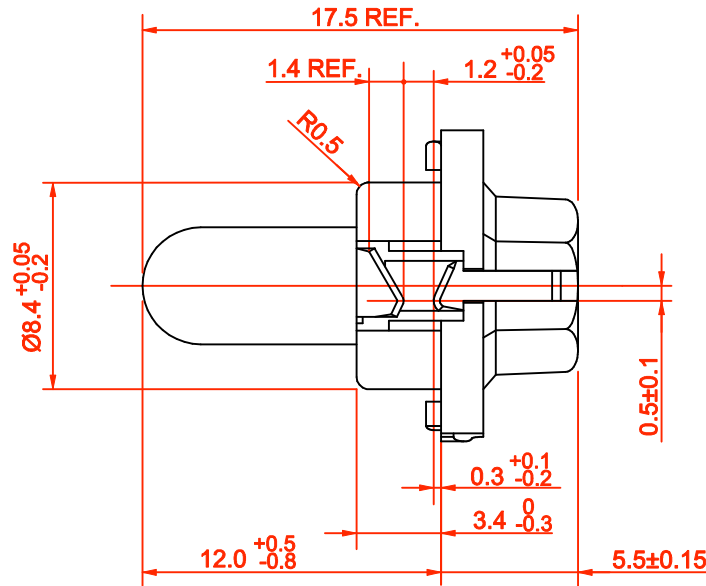
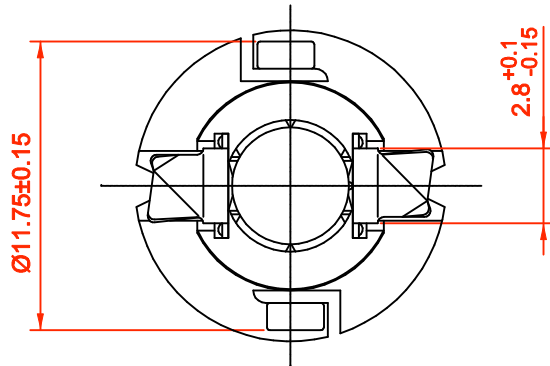
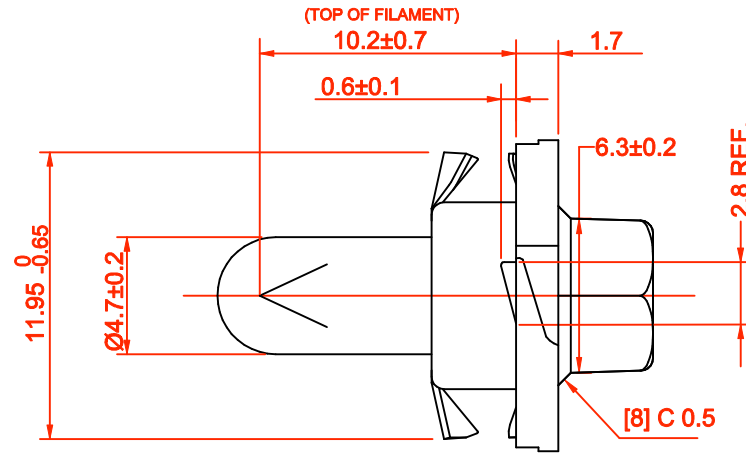
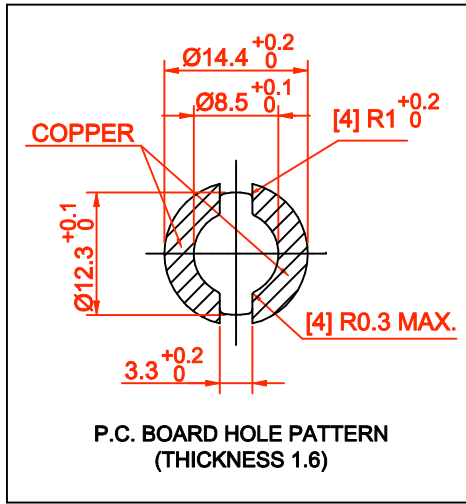


REV.	DESCRIPTION/ECO NO.	DATE
	RELEASE & CANCEL P-0212-08	2/11/03
A	MECHANICAL CHANGE	2/20/03



LAMP NUMBER: EW34						
VOLTS RATED	AMPS ± 10%	WATTS	*MSCP ± 25%	*LUMENS ± 25%	AVERAGE LIFE HRS.	FILAMENT TYPE
14.0	.127	1.78	.700	8.79	7,000 DC	C-2V

*LAMP RATING ONLY WITHOUT BASE

BASE COLOR: BLACK

JKL PART NO.: WWT2-EW34/BLA

METRIC		DIMENSIONS ARE IN MILLIMETERS		JKL COMPONENTS CORPORATION			
THIRD ANGLE PROJECTION		TOLERANCE UNLESS OTHERWISE SPECIFIED		TITLE			
		1 PL +/- 0.3		WIRE TERMINAL LAMP IN BASE			
		2 PL +/- 0		DRAWING NO. WWT2-EW34/BLA			
		ANGLE +/- 0		REV. A			
DRAWN BY L. WENGSTROM		APPVD BY J. KAHL		DATE 2/20/03		SCALE NONE	
- CAD DRAWING -		MANUAL REVISIONS NOT PERMITTED		RELEASED DATE 2/11/03		REVISION DATE 2/20/03	
				SHEET 1		OF 1	