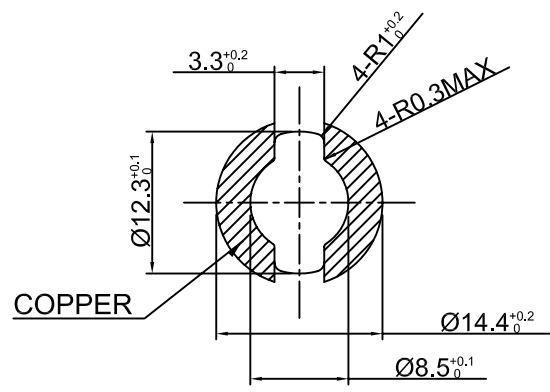
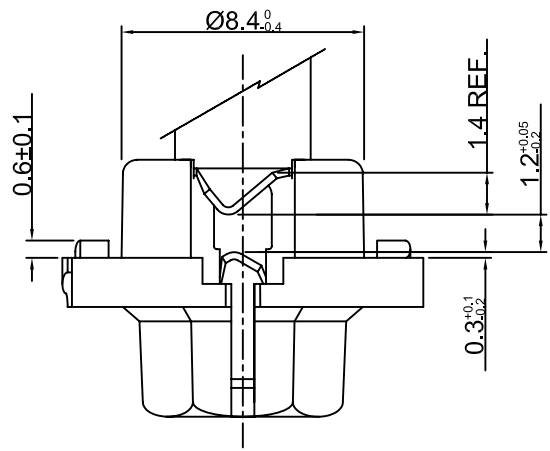
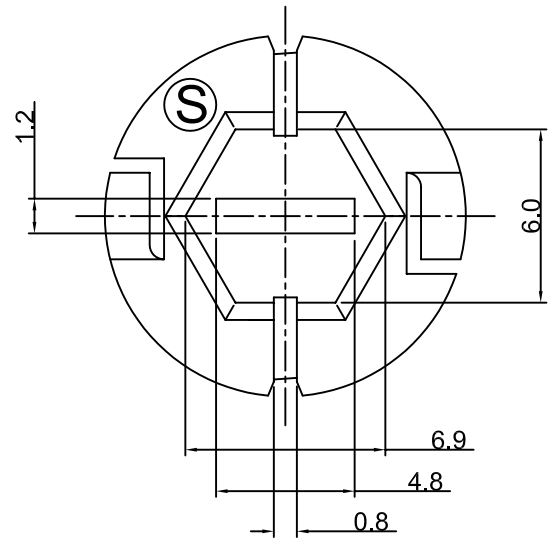
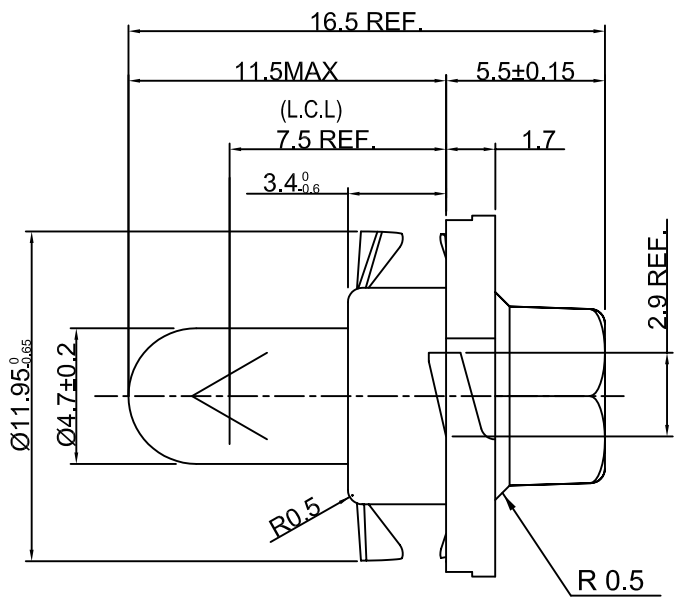
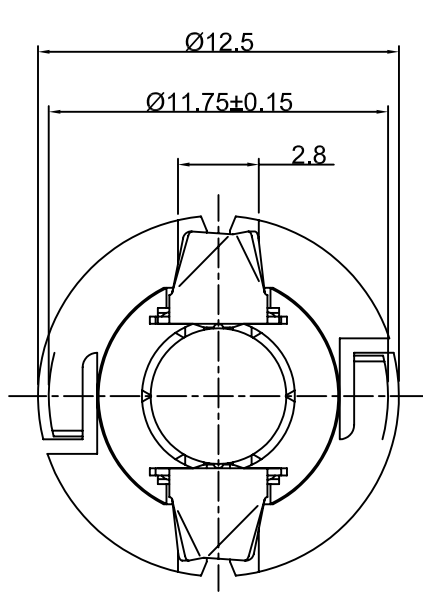


REV.	DESCRIPTION/ECO NO.	DATE
	RELEASED & CANCEL P-0011-01	4/16/01
A	DIMENSION CHANGES	4/27/01
B	DIMENSION CHANGES	4/26/02
C	CHANGE TO LEAD (Pb) FREE	12/10/04



HOLE DIMENSION OF THIS LAMP
PRINT CIRCUIT BOARD
(THICKNESS 1.6 +0.1/-0.1)

*LAMP RATING ONLY WITHOUT BASE
**LAMP GLASS LEAD (Pb) FREE
***LAMP AND SOCKET ASSEMBLY LEAD (Pb) FREE

CONTACT JKL FOR LEAD (Pb) FREE LOT IDENTIFICATION

LAMP NUMBER: EW87**						
VOLTS RATED	AMPS ± 10%	WATTS	*MSCP ± 25%	*LUMENS ± 25%	AVERAGE LIFE HRS.	FILAMENT TYPE
14.0	.140	1.96	.95	12.0	7,000 DC	C-2V

BASE COLOR: BLACK

JKL PART NO.: WWT2-EW87/BLA***

<p>METRIC THIRD ANGLE PROJECTION</p>	DIMENSIONS ARE IN MILLIMETERS TOLERANCE UNLESS OTHERWISE SPECIFIED 1 PL +/- 0.2 2 PL +/- 0.20 ANGLE +/- 0		<h1>JKL COMPONENTS CORPORATION</h1>			
	TITLE WIRE TERMINAL LAMP IN BASE					
DRAWN BY L. WENGSTROM	APPV'D BY J. KAHL	DATE 12/10/04	SIZE A	FSCM NO. 55335	DRAWING NO. WWT2-EW87/BLA	REV. C
- CAD DRAWING - MANUAL REVISIONS NOT PERMITTED			SCALE NONE	RELEASED DATE 4/16/01	REVISION DATE 12/10/04	SHEET 1 OF 1