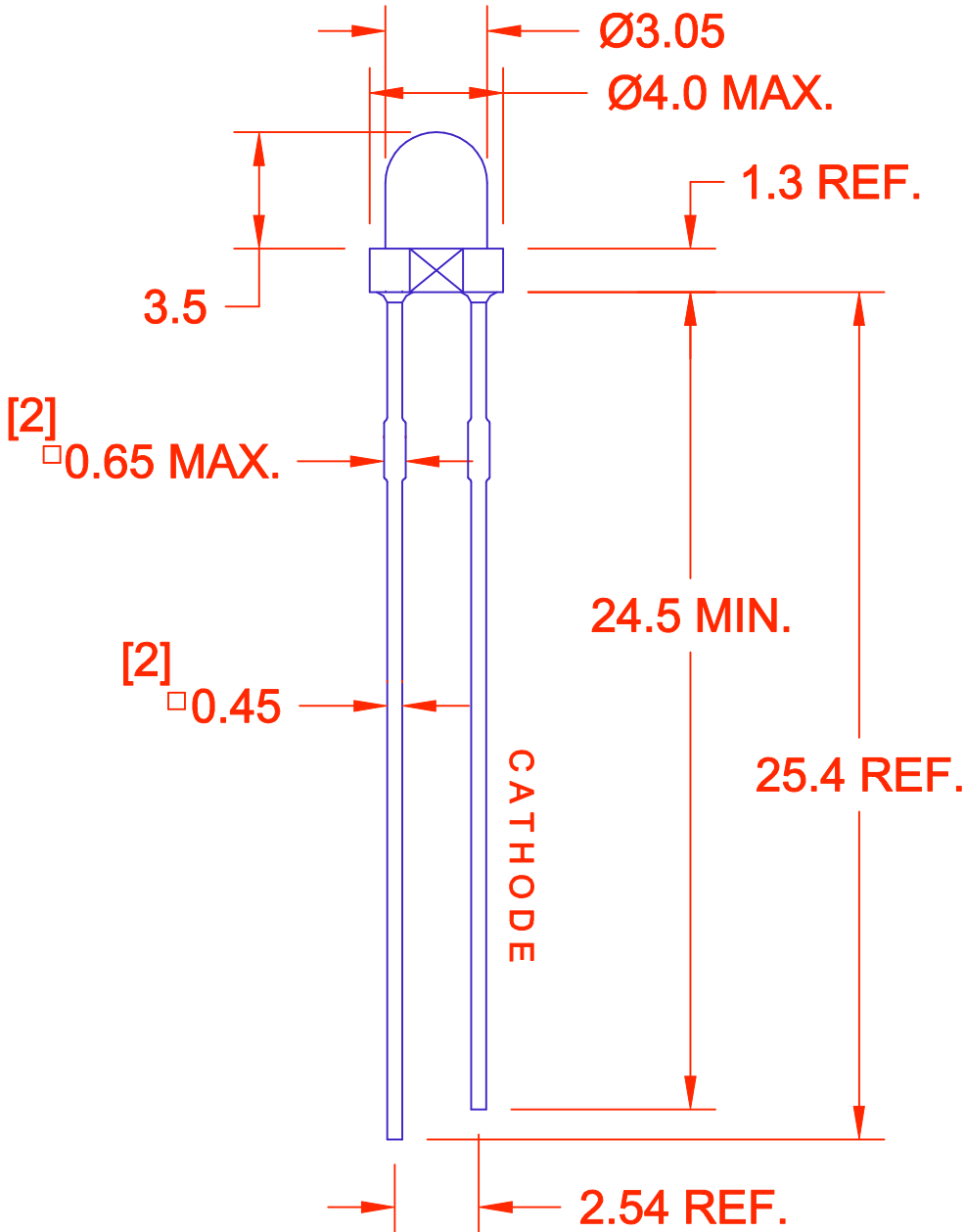


REV.	DESCRIPTION/ECO NO.	DATE
	RELEASED & CANCEL PL-0007-01	10/4/01



JKL PART NUMBER: Z-123B/450TG

ELECTRICAL CHARACTERISTICS

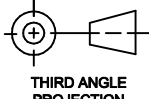
FORWARD VOLTAGE (DC)		FORWARD CURRENT (mA)		OPERATING TEMP. (C)	
TYP.	MAX.	TYP.	MAX.	*MIN.	*MAX.
3.5	4.0	20	30	-20	+80

NOTES:

- *CONTINUOUS-DUTY RATING
- LED WAVELENGTH 470nm (TYPICAL)
- ELECTRO STATIC DISCHARGE PROTECTION REQUIRED.

OPTICAL CHARACTERISTICS

INTENSITY/Mcd		WAVELENGTH nm		COLOR	TYP. VIEWING 1/2 ANGLE DEG.
MIN.	TYP.	MIN.	MAX.		
330	450	465	475	BLUE (CLEAR LENS)	30°

METRIC  THIRD ANGLE PROJECTION	DIMENSIONS ARE IN MILLIMETERS TOLERANCE UNLESS OTHERWISE SPECIFIED 1 PL +/- 0.2 2 PL +/- ANGLE +/-	JKL COMPONENTS CORPORATION					
	TITLE T-1 BLUE L.E.D.						
DRAWN BY L. WENGSTROM	APPVD BY J.K.	DATE 10/4/01	SIZE A	FSCM NO. 55335	DRAWING NO. Z-123B/450TG		
- CAD DRAWING - MANUAL REVISIONS NOT PERMITTED			SCALE NONE	RELEASED DATE 10/4/01	REVISION DATE	REV. NO. 1 OF 1	