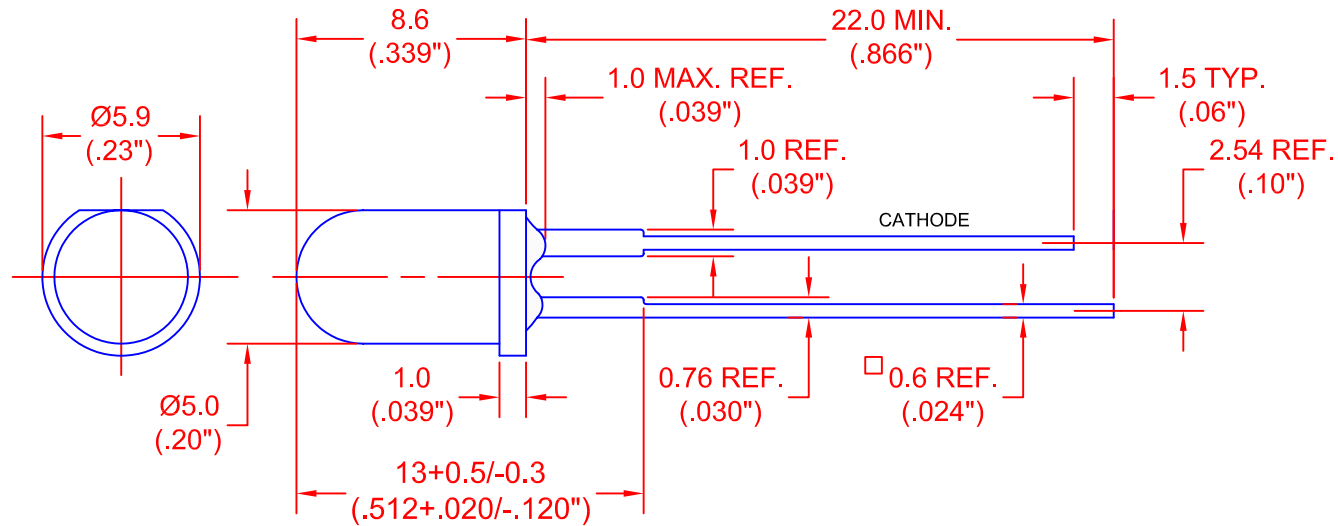


| REV. | DESCRIPTION/ECO NO. | DATE     |
|------|---------------------|----------|
|      | RELEASED            | 10/13/08 |
|      |                     |          |
|      |                     |          |
|      |                     |          |



### ELECTRICAL & OPTICAL CHARACTERISTICS

| JKL PART NUMBER | FORWARD VOLTAGE (DC) |      | FORWARD CURRENT (mA)* |      | OPERATING TEMP. (C) |      | INTENSITY mcd** |      | PEAK WAVELENGTH nm | COLOR                         |                    | TYP. VIEWING 1/2 ANGLE DEGREE |
|-----------------|----------------------|------|-----------------------|------|---------------------|------|-----------------|------|--------------------|-------------------------------|--------------------|-------------------------------|
|                 | TYP.                 | MAX. | TYP.                  | MAX. | MIN.                | MAX. | MIN.            | TYP. |                    | LED SOURCE (DICE)             | LENS TYPE          |                               |
| Z-212R          | 1.7                  | 2.1  | 10                    | 25   | -40                 | +85  | 0.5             | 2.5  | 660                | RED GaAsP                     | RED TRANSPARENT    | 16                            |
| Z-212RH         | 2                    | 2.5  | 10                    | 25   | -40                 | +85  | 8.0             | 12.5 | 625                | HIGH EFFICIENCY RED GaAsP/GaP | RED TRANSPARENT    | 16                            |
| Z-212G          | 2.2                  | 2.5  | 10                    | 25   | -40                 | +85  | 8.0             | 50.0 | 565                | GREEN GaP                     | GREEN TRANSPARENT  | 30                            |
| Z-212Y          | 2.1                  | 2.5  | 10                    | 25   | -40                 | +85  | 12.5            | 20.0 | 590                | YELLOW GaAsP/GaP              | YELLOW TRANSPARENT | 16                            |

\* CONTINUOUS-DUTY RATING

\*\* INTENSITY VALUES ARE AT TYPICAL FORWARD CURRENT OF 10mA

NOTE: ELECTRO STATIC DISCHARGE PROTECTION REQUIRED WHEN HANDLING DEVICES.

|   |   |  |                          |                                   |                                  |                                     |                         |
|---|---|--|--------------------------|-----------------------------------|----------------------------------|-------------------------------------|-------------------------|
| <p>THIRD ANGLE PROJECTION</p>                             | <p>METRIC</p> <p>DIMENSIONS ARE IN MILLIMETERS (INCHES)</p> <p>TOLERANCE UNLESS OTHERWISE SPECIFIED<br/>±0.25mm (±0.01)</p> | <p><b>JKL COMPONENTS CORPORATION</b></p> |                          |                                   |                                  |                                     |                         |
|   | <p>DRAWN BY<br/>L. WENGSTROM</p>  | <p>APPV'D BY<br/>L.R.</p>                | <p>DATE<br/>10/13/08</p> | <p>SIZE<br/><b>A</b></p>          | <p>FSCM NO.<br/><b>55335</b></p> | <p>DRAWING NO.<br/><b>Z-212</b></p> |                         |
| <p>- CAD DRAWING -<br/>MANUAL REVISIONS NOT PERMITTED</p> |   |  | <p>SCALE<br/>NONE</p>    | <p>RELEASED DATE<br/>10/13/08</p> | <p>REVISION DATE</p>             | <p>REV. NO.</p>                     | <p>SHEET<br/>1 OF 1</p> |