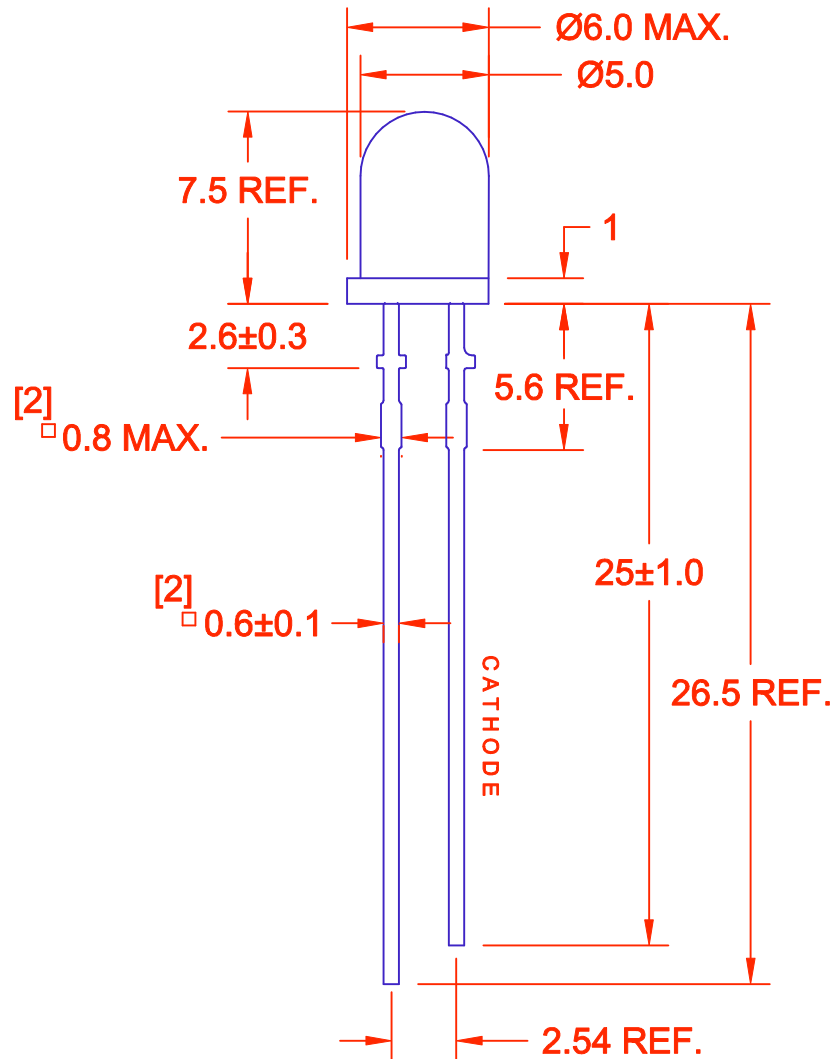


REV.	DESCRIPTION/ECO NO.	DATE
	RELEASE & CANCEL PL-0006-04	7/20/01



JKL PART NUMBER: Z-213B/290TG

ELECTRICAL CHARACTERISTICS

FORWARD VOLTAGE (DC)		FORWARD CURRENT (mA)		OPERATING TEMP. (C)	
TYP.	MAX.	TYP.	MAX.	*MIN.	*MAX.
3.5	4.0	20	30	-20	+80

NOTES:

- *CONTINUOUS-DUTY RATING
- LED WAVELENGTH 470nm (TYPICAL)
- ELECTRO STATIC DISCHARGE PROTECTION REQUIRED.

OPTICAL CHARACTERISTICS

INTENSITY/Mcd		WAVELENGTH nm		COLOR	TYP. VIEWING 1/2 ANGLE DEG.
MIN.	TYP.	MIN.	MAX.		
210	290	465	475	BLUE	45°

<p>THIRD ANGLE PROJECTION</p>	<p>METRIC</p> <p>DIMENSIONS ARE IN MILLIMETERS</p> <p>TOLERANCE UNLESS OTHERWISE SPECIFIED</p> <p>1 PL +/- 0.2</p> <p>2 PL +/- ANGLE +/-</p>	<p>JKL COMPONENTS CORPORATION</p>			
	<p>TITLE T-1 3/4 BLUE L.E.D.</p>				
<p>DRAWN BY L. WENGSTROM</p>	<p>APP'VD BY J.K.</p>	<p>DATE 7/20/01</p>	<p>SIZE A</p>	<p>FSCM NO. 55335</p>	<p>DRAWING NO. Z-213B/290TG</p>
<p>- CAD DRAWING - MANUAL REVISIONS NOT PERMITTED</p>			<p>SCALE NONE</p>	<p>RELEASED DATE 7/20/01</p>	<p>REVISION DATE</p>
				<p>REV. NO.</p>	<p>SHEET 1 OF 1</p>